

THOMSON

Thomson Go TV



tv.mythomson.com



[tv.mythomson.com/
en/Support/FAQs/](https://tv.mythomson.com/en/Support/FAQs/)



[tv.mythomson.com/
Support/Product-Registration/](https://tv.mythomson.com/Support/Product-Registration/)

IMPORTANT

Please read this manual carefully before installing and operating the TV.

Keep this manual handy for further reference.

Pictures shown in this user manual are only schematic diagrams.

Contents

1	Safety Information	6
1.1	Markings on the product.....	7
1.2	Warning.....	7
2	Installation Instructions for Lifter and TV.....	8
2.1	Assembly of Lifter.....	8
2.2	Disassemble the Lifter.....	10
2.3	Adjustment of Angle and Height.....	11
3	TV buttons and connections.....	12
3.1	Connections.....	12
3.2	Button Functions.....	13
3.3	Use of Internal Battery.....	13
4	Remote Control.....	15
5	Initial Setup.....	16
5.1	Pairing Bluetooth Remote	16
5.2	Language Selection.....	16
5.3	Quickly set up your TV with your Android TV phone.....	17
5.4	Google Account Sign In	19
5.5	Terms of Service	20
5.6	Google Services.....	21
5.7	Google Assistant.....	21
5.8	Search across all TV apps and get personalized results	22
5.9	Google Play Auto Installs.....	23
5.10	Select Region/Country.....	26
5.11	Create a password.....	26
5.12	Select TV mode	27
5.13	Google Cast	28
5.14	TV Channel Setting	28

5.15	Disclaimer	30
6	Home.....	31
6.1	Search.....	31
6.2	Shop.....	32
6.3	Discover.....	33
6.4	Apps.....	33
6.5	Notifications	34
6.6	Inputs	34
6.7	Network & Internet.....	35
6.8	Settings.....	35
6.9	Google Account	36
6.10	Favorite Applications.....	36
7	Settings.....	37
7.1	Network & Internet.....	37
7.2	Channel.....	38
7.2.1	Channel installation mode - Antenna.....	38
7.2.2	Channel installation mode - Cable.....	38
7.3	Accounts & Sign-In.....	39
7.4	Apps.....	39
7.5	Device Preferences.....	40
7.5.1	About.....	40
7.5.2	Date & Time	40
7.5.3	Timer.....	40
7.5.4	Language	41
7.5.5	Keyboard.....	41
7.5.6	Inputs	41
7.5.7	Power.....	42
7.5.8	Picture	42
7.5.9	Sound.....	44
7.5.10	Storage	44
7.5.11	Home Screen.....	45
7.5.12	Retail mode.....	45

7.5.13	Google Assistant.....	45
7.5.14	Google Cast.....	45
7.5.15	Screen Saver.....	45
7.5.16	Energy Saver.....	46
7.5.17	Location.....	46
7.5.18	Usage & diagnostics.....	46
7.5.19	Accessibility.....	46
7.5.20	Restart.....	46
7.6	Remotes & Accessories.....	46
8	MMP Player.....	46
9	Live TV.....	47
9.1	Channels.....	47
9.1.1	Electronic Program Guide (EPG).....	47
9.1.2	Channel.....	48
9.2	TV Options.....	48
9.2.1	Source.....	48
9.2.2	Picture.....	48
9.2.3	Sound.....	48
9.2.4	Power.....	48
9.2.5	Advanced Options.....	48
9.2.6	Settings.....	49
9.3	Record.....	49
9.3.1	Instant recording.....	50
9.3.2	Record list.....	50
9.3.3	Device Info.....	50
9.3.4	Schedule List.....	50
9.3.5	Time Shift Mode.....	51
10	Channel Management.....	52
11	Google Play Store.....	53
12	Troubleshooting.....	53
13	Technical specifications.....	54
13.1	Country restrictions.....	54

13.2	Licenses	54
------	----------------	----

1 Safety Information



In extreme weather (storms, lightning) and long inactivity periods (going on holiday) disconnect the TV set from the mains.

The mains plug is used to disconnect the TV set from the mains and therefore it must remain readily operable. If the TV set is not disconnected electrically from the mains, the device will still draw power for all situations even if the TV is in standby mode or switched off.

Note: Follow the onscreen instructions for operating the related features.

Important: Please read these instructions fully before installing or operating the TV.

WARNING

This device is intended to be used by persons (including children) who are capable / experienced of using such a device unsupervised, unless they have been given supervision or instruction concerning the use of the device by a person responsible for their safety.

- Use this TV set at an altitude of less than 2000 meters above sea level, in dry locations and in regions with moderate or tropical climates.
- The TV set is intended for household and similar general use but may also be used in public places.
- For ventilation purposes, leave at least 10cm of free space around the TV.
- The ventilation should not be impeded by covering or blocking the ventilation openings with items, such as newspapers, tablecloths, curtains, etc.
- The power cord plug should be easily accessible. Do not place the TV, furniture, etc. on the power cord. A damaged power cord/plug can cause fire or give you an electric shock. Handle the power cord by the plug, do not unplug the TV by pulling the power cord. Never touch the power cord/plug with wet hands as this could cause a short circuit or electric shock. Never make a knot in the power cord or tie it with other cords. When damaged it must be replaced, this should only be done by qualified personnel.
- Do not expose the TV to dripping or splashing of liquids and do not place objects filled with liquids, such as vases, cups, etc. on or over the TV (e.g., on shelves above the unit).
- Do not expose the TV to direct sunlight and do not place open flames such as lit candles on the top of or near the TV.
- Do not place any heat sources such as electric heaters, radiators, etc. near the TV set.
- Do not place the TV on an inclined surfaces.
- To avoid danger of suffocation, keep plastic bags out of reach of babies, children and domestic animals.
- Carefully attach the stand to the TV. If the stand is provided with screws, tighten the screws firmly to prevent the TV from tilting. Do not over-tighten the screws and mount the stand rubbers properly.
- Do not dispose of the batteries in fire or with hazardous or flammable materials.

- Do not use household cleaning agents to clean the TV. Instead clean the screen with a soft, dry cloth. Before cleaning, unplug the device for safety.

WARNING

- Batteries must not be exposed to excessive heat such as sunshine, fire or the like.
- Excessive sound pressure from earphones or headphones can cause hearing loss.

BATTERY WARNING

This product contains an internal lithium-ion battery. Only use the supplied power adapter. Handle with care to avoid leaks, fire, or explosions. Follow proper battery disposal and charging guidelines to prevent injury or damage.

ABOVE ALL - NEVER let anyone, especially children, push or hit the screen, push anything into holes, slots or any other openings in the case.

1.1 Markings on the product

The following symbols are used on the product as a marker for restrictions and precautions and safety instructions. Each explanation shall be considered where the product bears related marking only. Note such information for security reasons.



This marking indicates that this product should not be disposed with other household wastes throughout the EU. Please recycle it responsibly to promote the sustainable reuse of material resources. To return your used device, please use the return and collection systems or contact the retailer where the product was purchased.

1.2 Warning

Do not ingest the battery. If you think batteries might have been swallowed or placed inside any part of the body, seek immediate medical attention.

Keep new and used batteries away from children. If the battery compartment does not close securely, stop using the product and keep it away from children.

A television may fall, causing serious personal injury or death. Many injuries, particularly to children, can be avoided by taking simple precautions such as:

- ALWAYS use the mounting method recommended by the manufacturer of the television set.
- ALWAYS route cords and cables connected to your television so they cannot be tripped over, pulled or grabbed.
- NEVER place a television set in an unstable location.
- NEVER place items that might tempt children to climb, such as toys and remote controls, on top of the television.

- NEVER leave children unattended around the TV stand. Children may attempt to push, climb or move the stand, which could result in tipping, injury or damage.

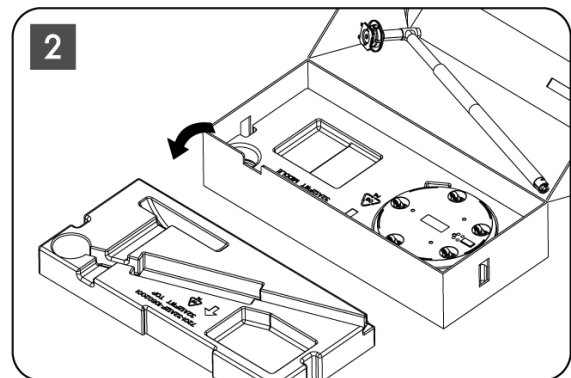
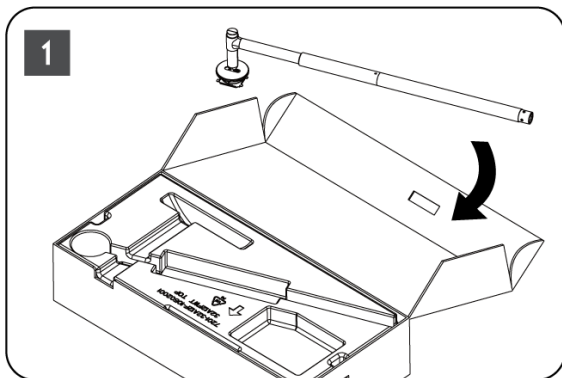
If the existing television set is going to be retained and relocated, the same considerations as above should be applied.

Apparatus connected to the protective earthing of the building installation through the mains connection or through other apparatus with a connection to protective earthing – and to a television distribution system using coaxial cable, may in some circumstances create a fire hazard. Connection to a television distribution system has therefore to be provided through a device providing electrical isolation below a certain frequency range (galvanic isolator).

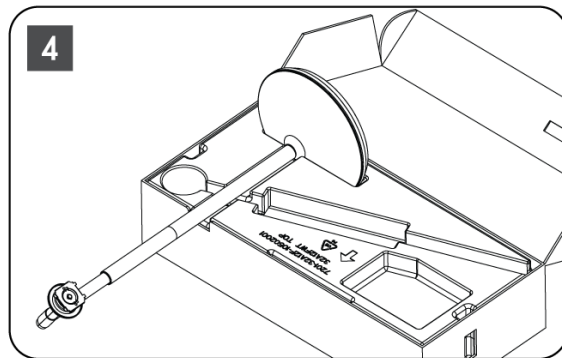
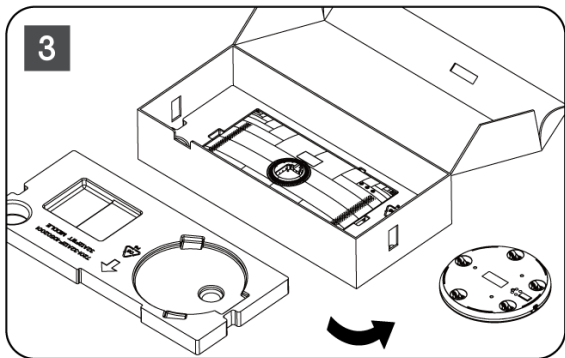
2 Installation Instructions for Lifter and TV

2.1 Assembly of Lifter

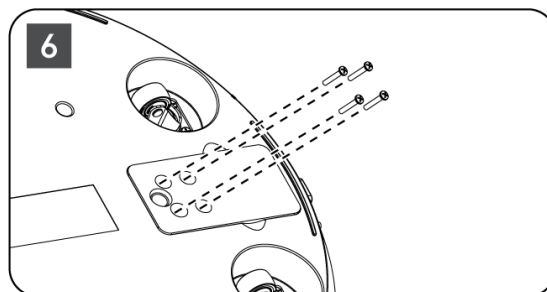
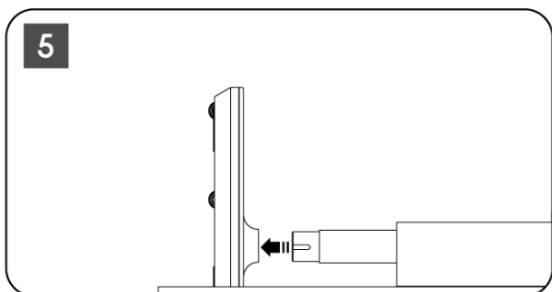
1. Take out the holder bar and place it on the side of the box lid.
2. Take the first layer out of the packaging and place it next to the box. The second layer includes the stand elements.



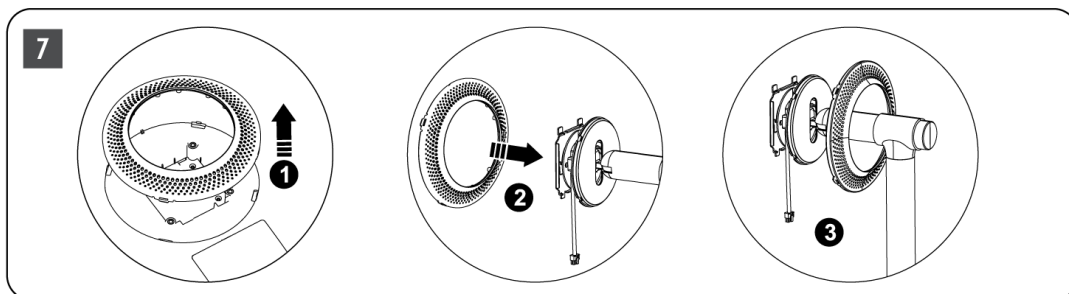
3. From the second layer, take out the TV mount base, which has built-in wheels, and place it on its side.
4. Put both layers back into the packaging. Make sure that the first layer is on top again. Place the holder base with the wheels into the slot provided in the first part of the packaging (as you can see on graphic number 4).



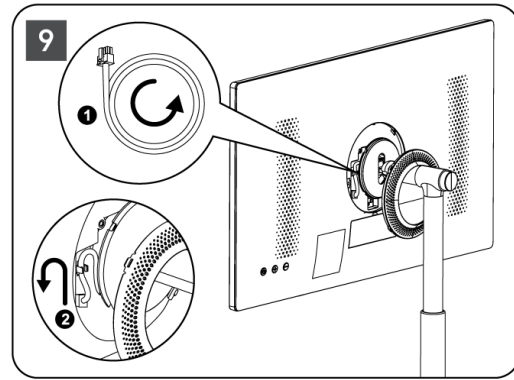
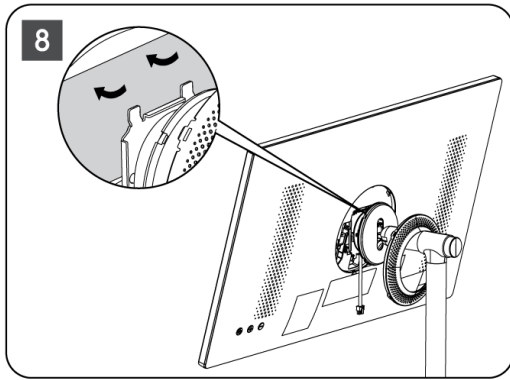
5. Attach the TV mounting bar to the base by aligning it in position.
6. Insert the screws into the screw slot and tighten the screws.



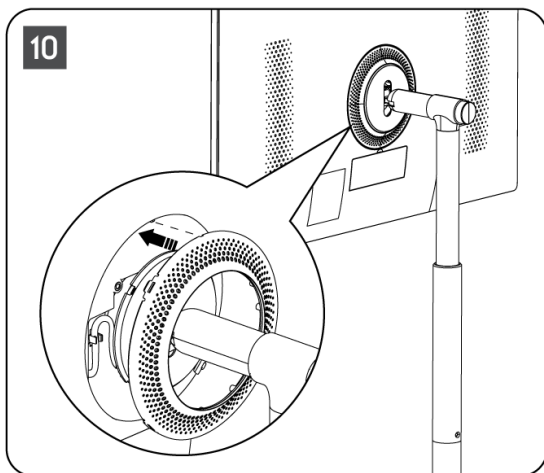
7. Before removing the display screen from its packaging, first detach the trim ring from the back. Then, slide the trim ring onto the TV holder on the mounting bar.



8. Tilt the screen upwards and attach the TV to the bracket. Ensure that the slots on the back of the TV, designed for stabilizing the TV, are correctly positioned and mounted on the bracket.
9. Wind the power cable counterclockwise and connect it to the TV set.



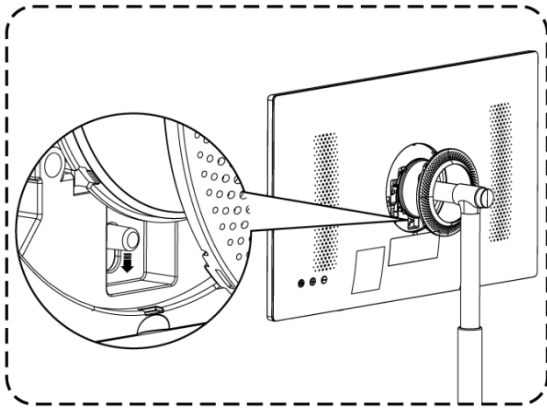
10. Align the fixing pins of the cover ring with the slots provided on the back of the TV and press it gently until the pins engage and the cover is properly mounted to complete the installation.



Note: Make sure that the mains cable is properly plugged into the TV set and does not prevent the cover ring from closing.

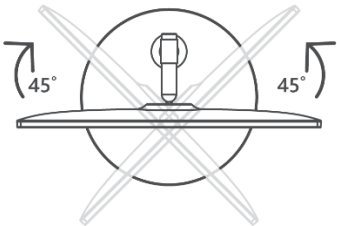
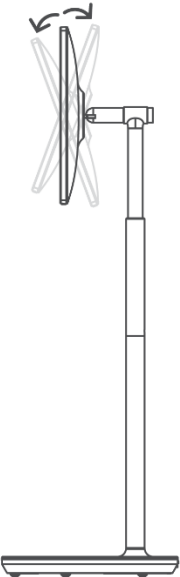
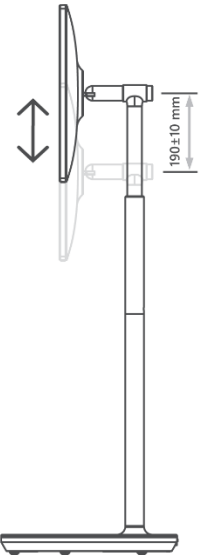
2.2 Disassemble the Lifter

To disconnect the screen from the lifter, remove the cover ring and press the quick release button on the back of the TV.



2.3 Adjustment of Angle and Height

You can adjust the height and viewing angle of the TV to assure a comfortable viewing experience.

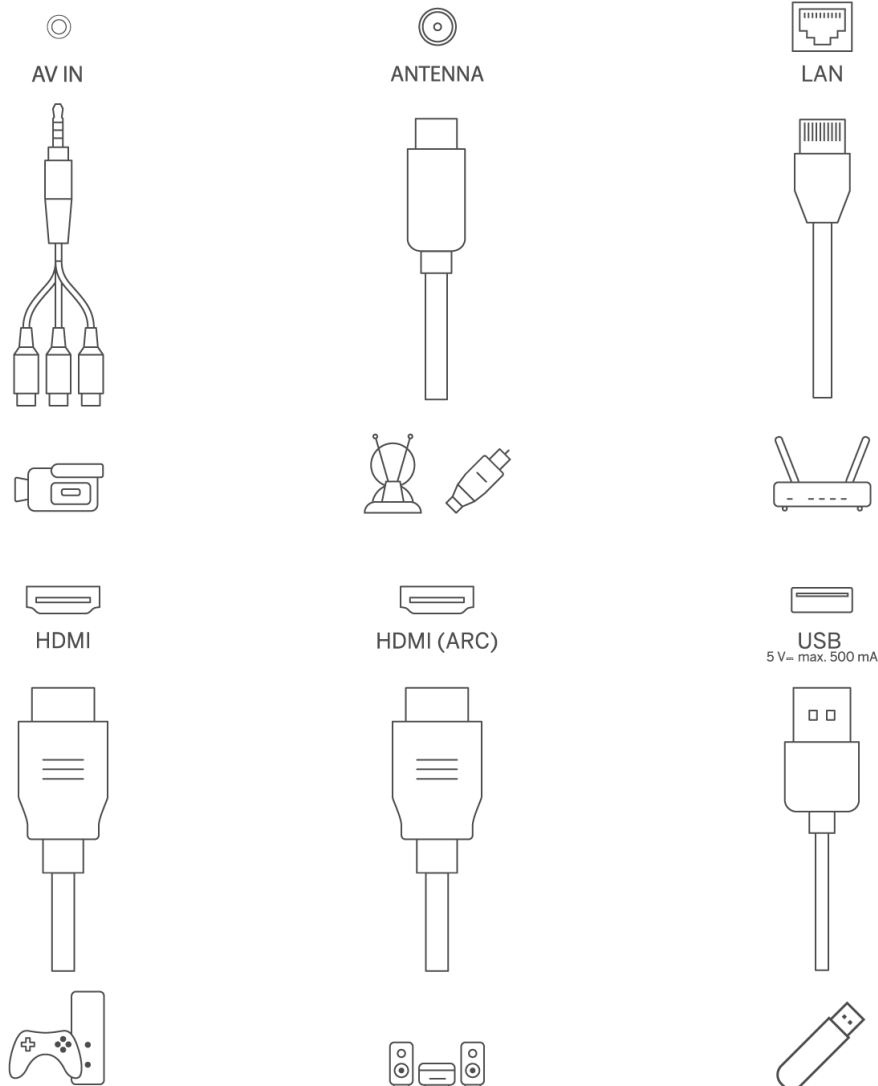
<p>Rotate left/right: $\pm 45^\circ$</p> 	<p>Forward angle: $20 \pm 3^\circ$ Backward angle: $20 \pm 3^\circ$</p> 	<p>The height of the lifter is adjustable within $190 \pm 10\text{mm}$</p> 
---	---	---

Caution:

- Do not rotate the product at an angle beyond the limit or beyond the maximum adjustable range of height.
- Do not let your hands or fingers get stuck in the stand or height adjustment area.

3 TV buttons and connections

3.1 Connections



Open the port dust cover and connect to the corresponding port as per need:

- If you connect a device which supports ARC, please select the HDMI 1 interface.
- HDMI connector can recognize DVI signals with external HDMI/DVI commutator.
- The peripheral equipment and cables described in this manual should be purchased separately.

WARNING

Do not connect the outdoor antenna to a high mains power line to avoid electric shock. The wired network antenna connected to this TV set must be isolated from the protective grounding, or else it will cause fire or other hazards.

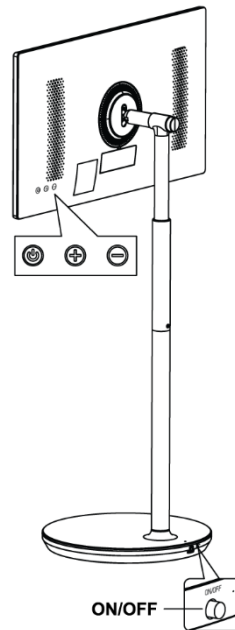
Attention:

First plug the power cable into the device, then insert the power adapter into the wall socket.

3.2 Button Functions

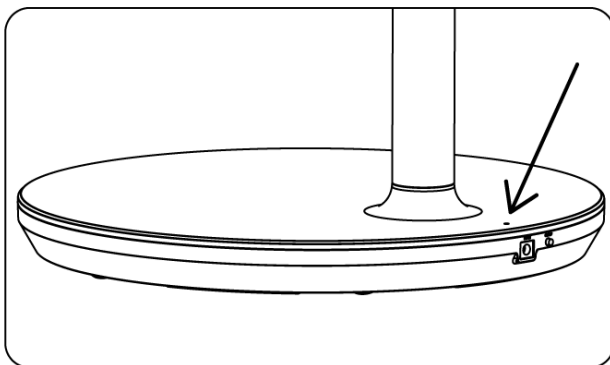
On/Off: Power on or off the device

- ⏻ Put the TV in standby mode
- ⊕ VOL+: Increase the volume.
- ⊖ VOL-: Decrease the volume.



3.3 Use of Internal Battery

The base of the TV stand contains an internal battery that can power the product for up to 4 hours when the TV is not connected to the power supply. The battery light indicator has three different colors (green, yellow and red), which changes with the remaining battery capacity.



Battery indicator:

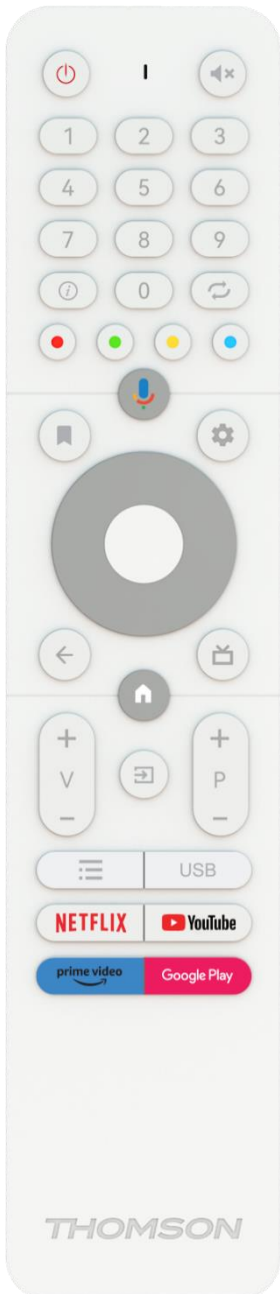
- Green light: The battery capacity is adequate.
- Yellow light: The battery capacity is moderate.
- Red light: The battery capacity is low or charging.

Note

- It takes about 4 hours to fully charge the battery or only 2 hours in the fast charge mode, when the product is turned off.

- Each charging cycle reduces the full charge capacity over time, therefore, reducing the battery's maximal working time.
- In standby mode, the remaining battery capacity reduces naturally.
- The battery cannot be charged in extreme environments.
- To prolong the battery life, it is suggested to charge the battery after use for some time instead of keeping the battery fully charged during the time of use.
- Maintaining the battery capacity at 60% (yellow battery light indicator) helps to prolong the battery life.
- The maximum service time after complete charging is 3 hours.
- The service time may vary with various factors, such as connected devices, operating temperature, operating period and user settings. Therefore, the real service time may vary from the designed service time.

4 Remote Control



	Power button/Standby: Quick Standby / Standby / On
	Light indicator
	Mute: Completely turn off the volume of the TV
0-9	Numeric buttons: Switch the channel in Live TV mode, enter a number or a letter in the text box on the screen
	Info: Show information about a Live TV channel or a media file that is playing
	Cycle: Swap between the current and previously watched Live TV channels
	Colored Buttons: Follow the on-screen instructions for colored button functions
	Microphone: Activate the Google Assistant
	Options: Open an options list of apps and movies on the Home Screen
	Settings: Display Live TV Settings menu (in Live TV mode), display available setting options such as sound and picture; In case you have purchased a SW with PVR (recording) function: upon pressing and holding setting button for 5 seconds, an additional keyboard with more functions opens in the TV Live app.
	Directional buttons: Navigate menus, setting options, move the focus or cursor etc., set record time and display the subpages in Live TV-Teletext mode when pressed Right or Left. Follow the on-screen instructions
	OK: Confirm selections, enter sub-menus, view channel list (in Live TV mode). Press 5 sec. to switch the backlight of the remote control on/off
	Back/Return: Return to previous menu screen, go one step back, close windows, close teletext (in Live TV-Teletext mode). Exit the playback of multimedia files and return to the MMP (Multi Medi Player) overview menu
	Electronic program guide
	Home: Open the Home Screen
	Volume +/-: Control the Sound Volume of the TV.
	Source/Input: Close and exit from Live TV Settings menus, exit from any running application or menu or OSD banner, switch to last set source; Selecting the inputs of the TV.
	Programs +/-: Switch between TV/radio channels. Scroll the channel list page by page when the channel list is displayed on the TV screen.
	OSD: Open On-Screen Display menu
USB	Open the Multimedia Player, where you can play media files from
	Launch the Netflix application
	Launch the YouTube application
	Launch the Prime Video application
	Launch the Google Play application

5 Initial Setup

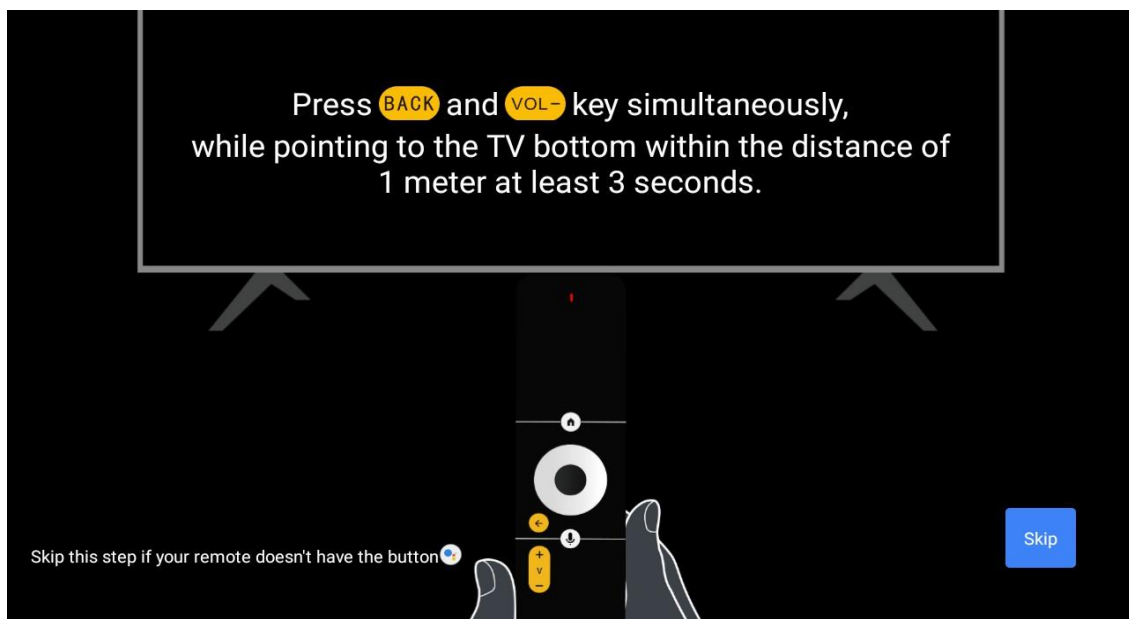
For the first initial setup, on-screen setup wizard will guide you through setting up your TV. Please follow the guide to set up your TV correctly.

5.1 Pairing Bluetooth Remote

Press **BACK** and **VOL-** simultaneously on the remote control to enter the Bluetooth pairing mode. The indicator on the remote control will flash when starting the pairing mode.

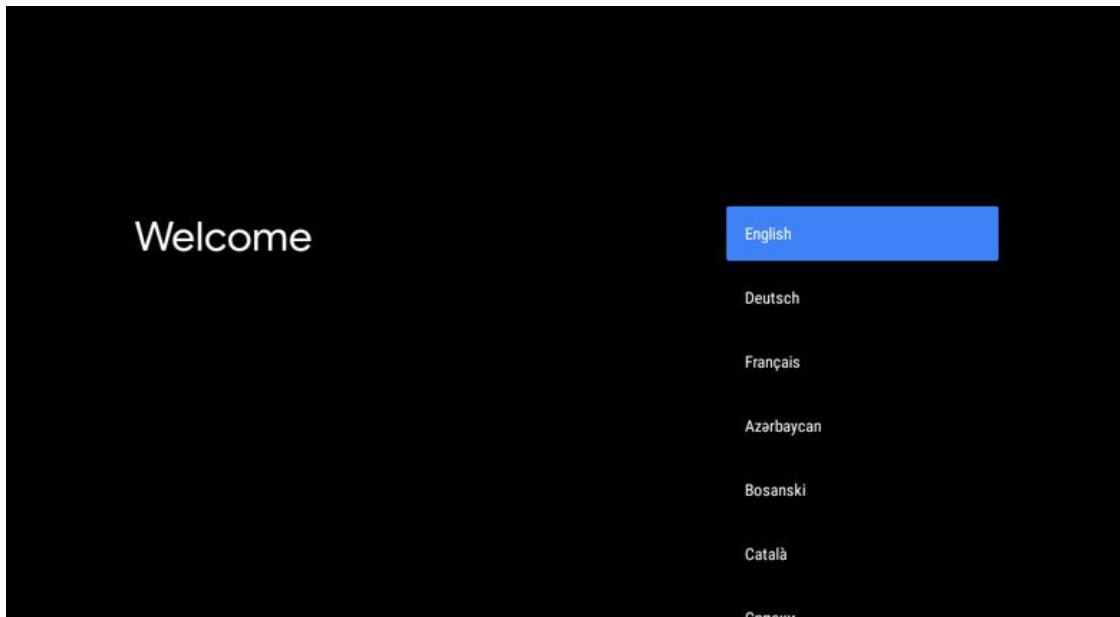
- On the right side the name of your remote control will be displayed. Highlight it with the directional buttons and press **OK**.
- Wait until "Paired" is displayed under the name of the remote control and continue the setup.

Press **Back** to skip the pairing mode.



5.2 Language Selection

Use the up/down buttons to select the system language, then press **OK** to confirm.

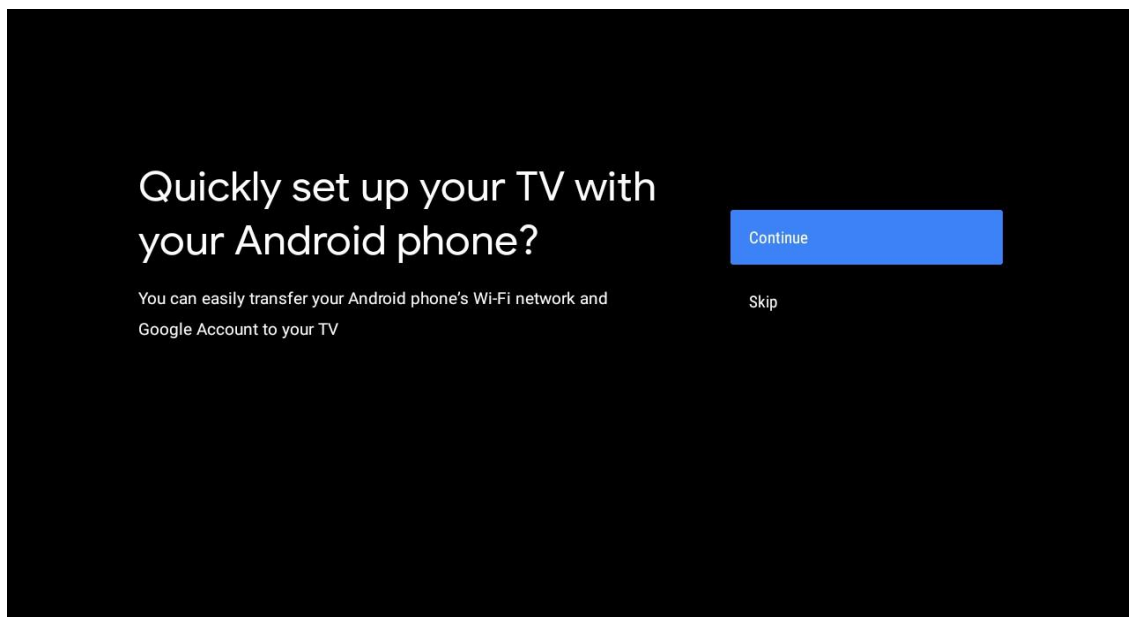


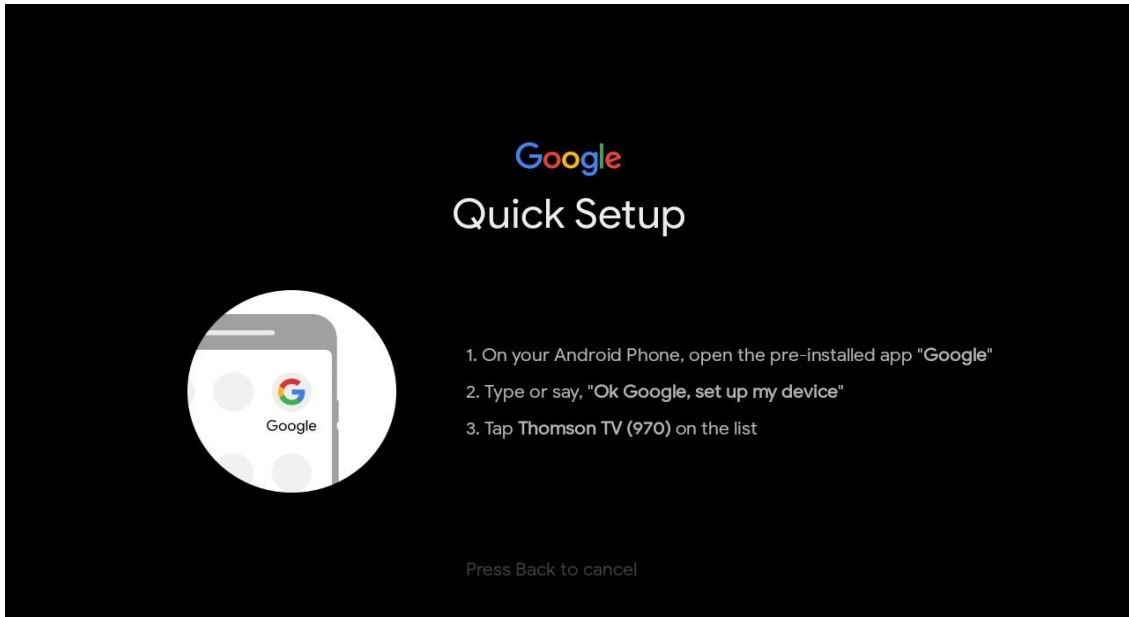
5.3 Quickly set up your TV with your Android TV phone

To connect your Android Smartphone to your TV. Select "Continue".

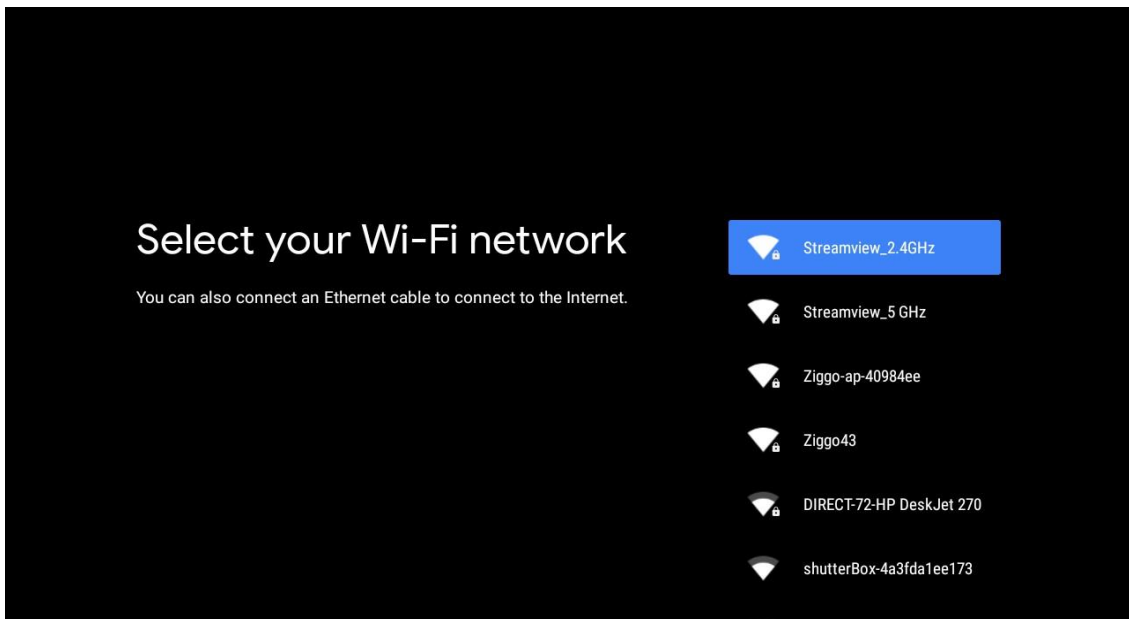
- On your Android Phone, open the pre-installed app "Google"
- Type or say "Ok Google, set up my device"
- Tap the model name on the list

Note: Press **Back** to cancel. If you want to use your TV normally, please select "Skip".

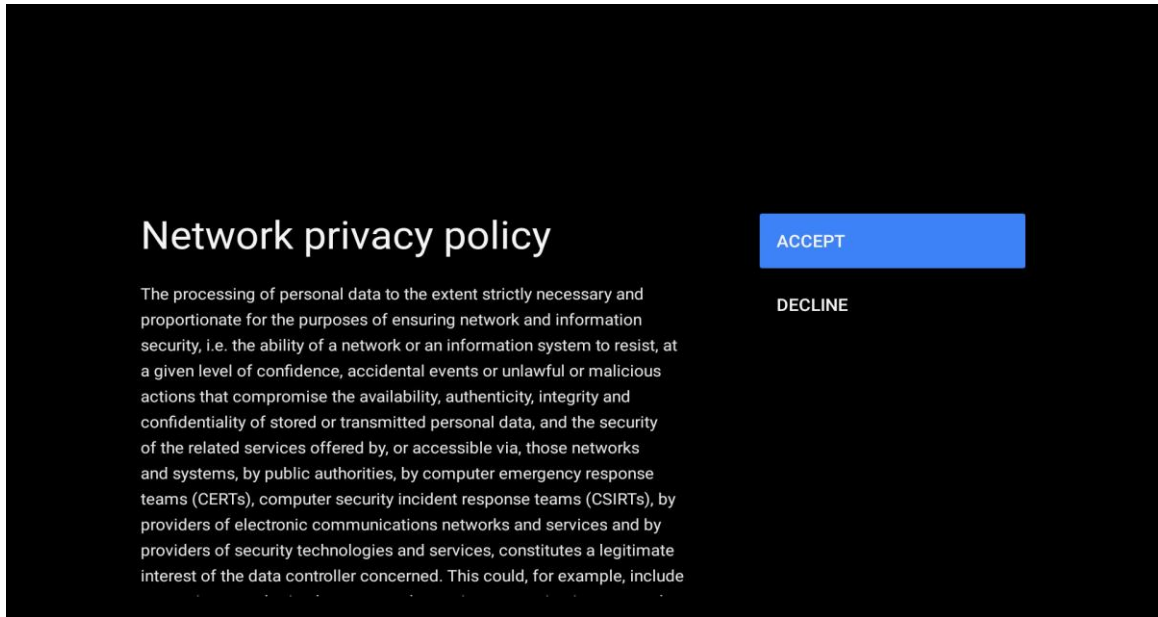




Press the up/down buttons to select the Wi-Fi you wish to connect to, enter the password and confirm. If you select "Skip", you can set your network later in the settings menu.

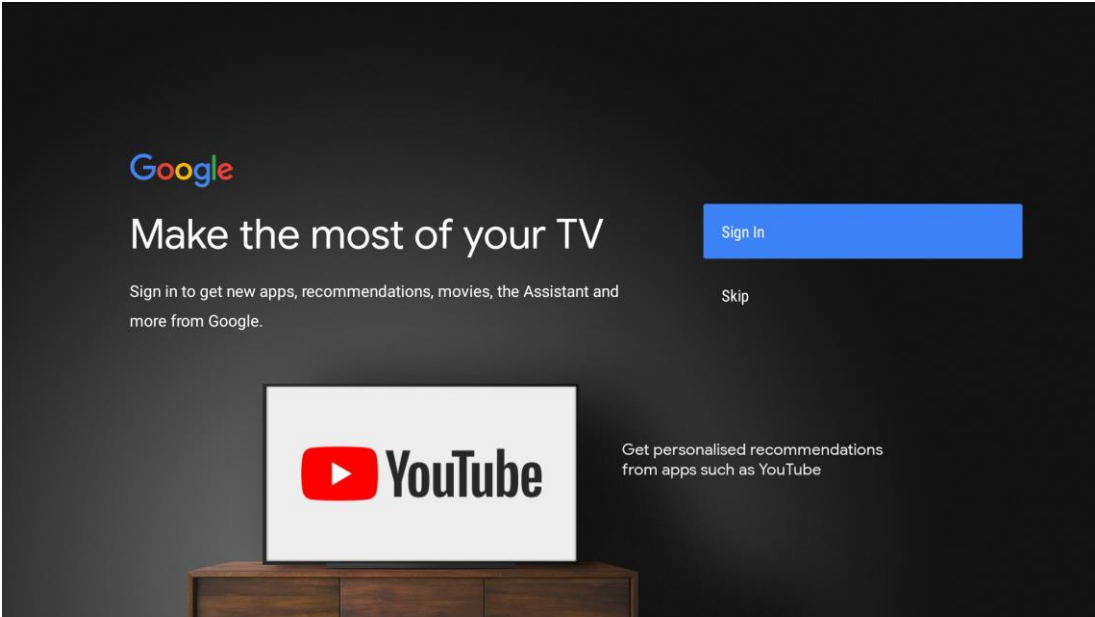


Review the network privacy policy and energy tips.

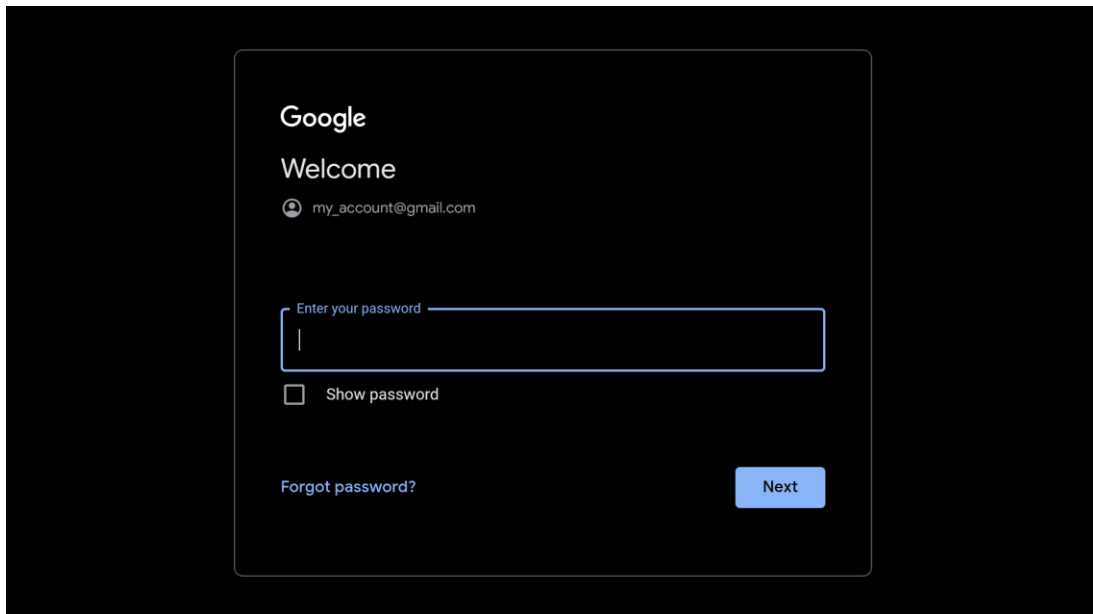
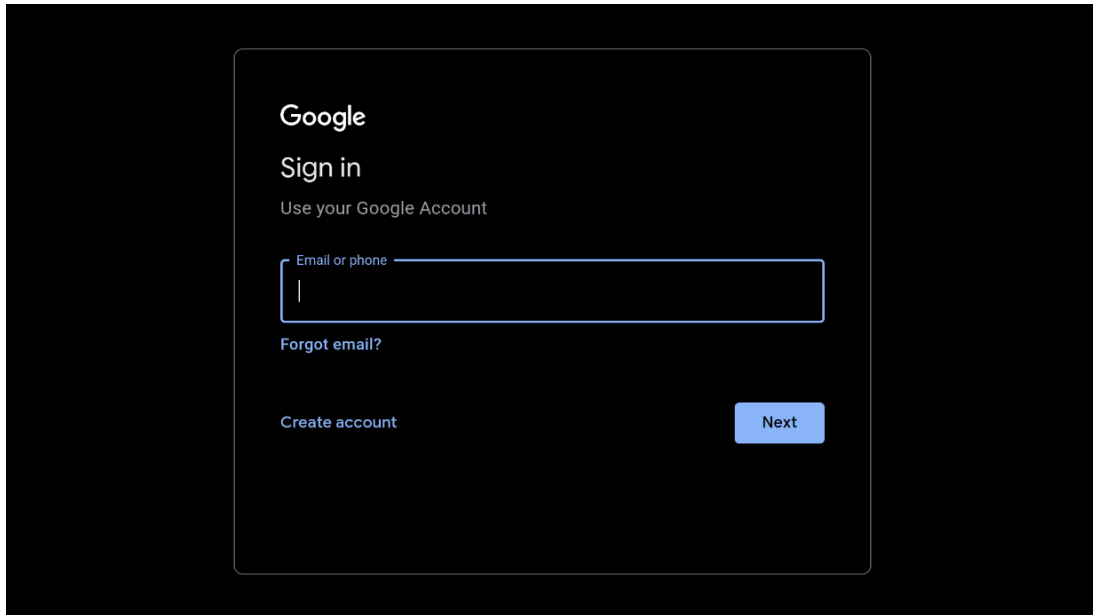


5.4 Google Account Sign In

Sign in to get new apps, recommendations, movies, and more from Google.

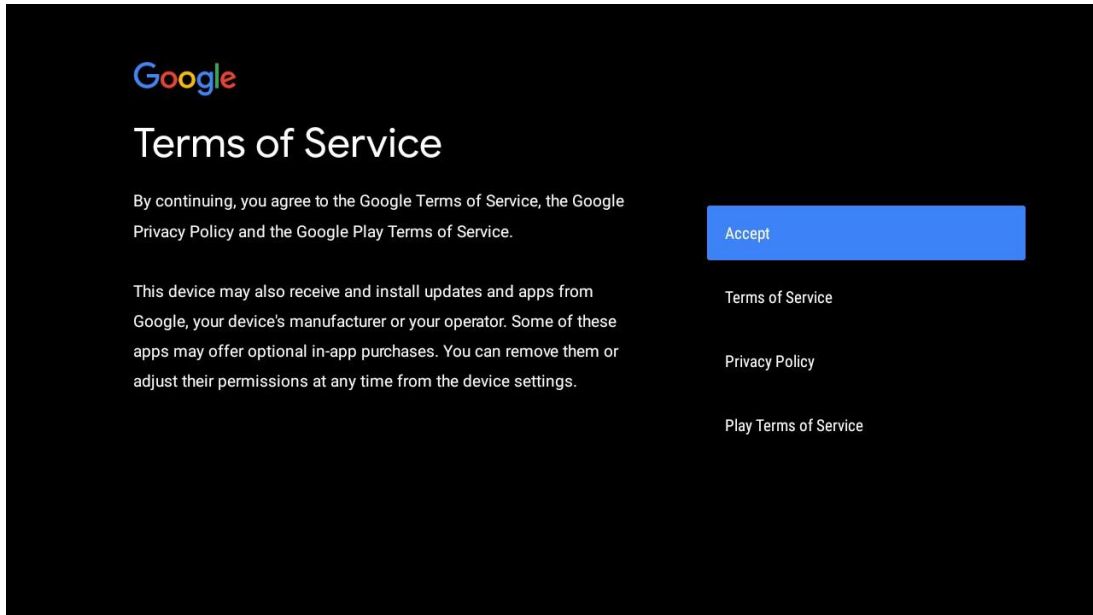


Use the remote control to enter your password and sign in to your Google Account.



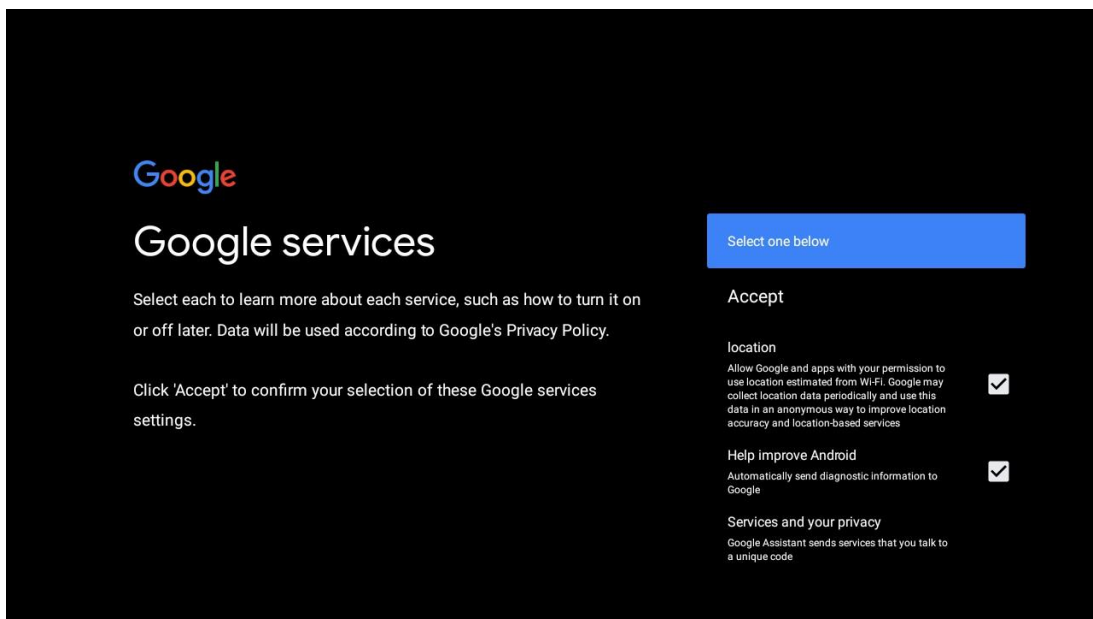
5.5 Terms of Service

By continuing, you accept the Google Terms of Service to improve the product experience. Select "Accept" to proceed.



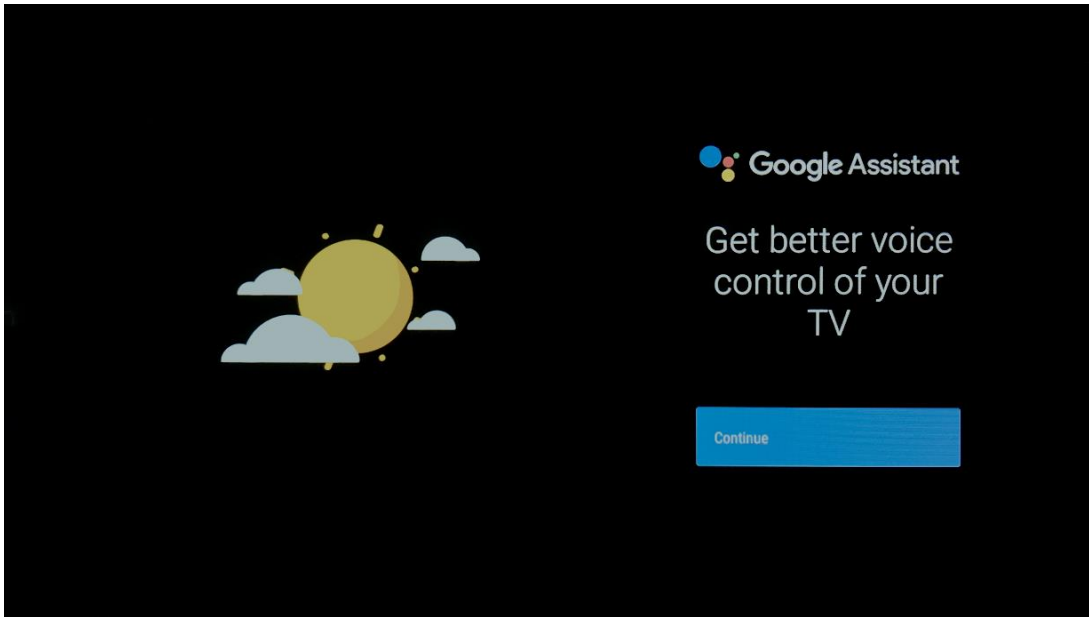
5.6 Google Services

Select "Accept" to confirm if you want your location identified on your Android TV and agree to automatically send diagnostic information to Google to help improve your Google experience.



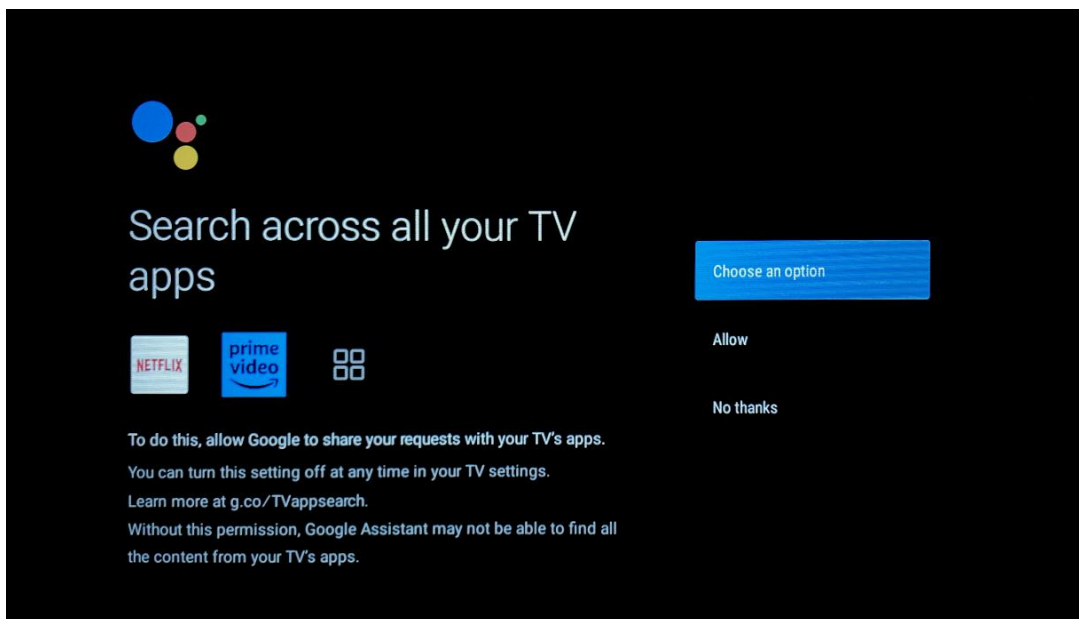
5.7 Google Assistant

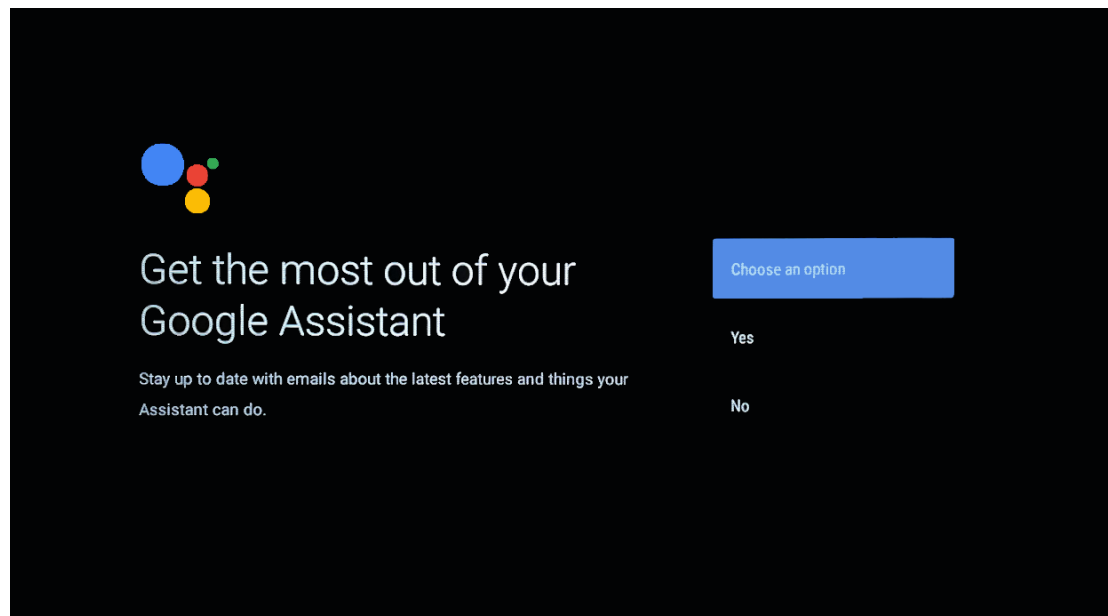
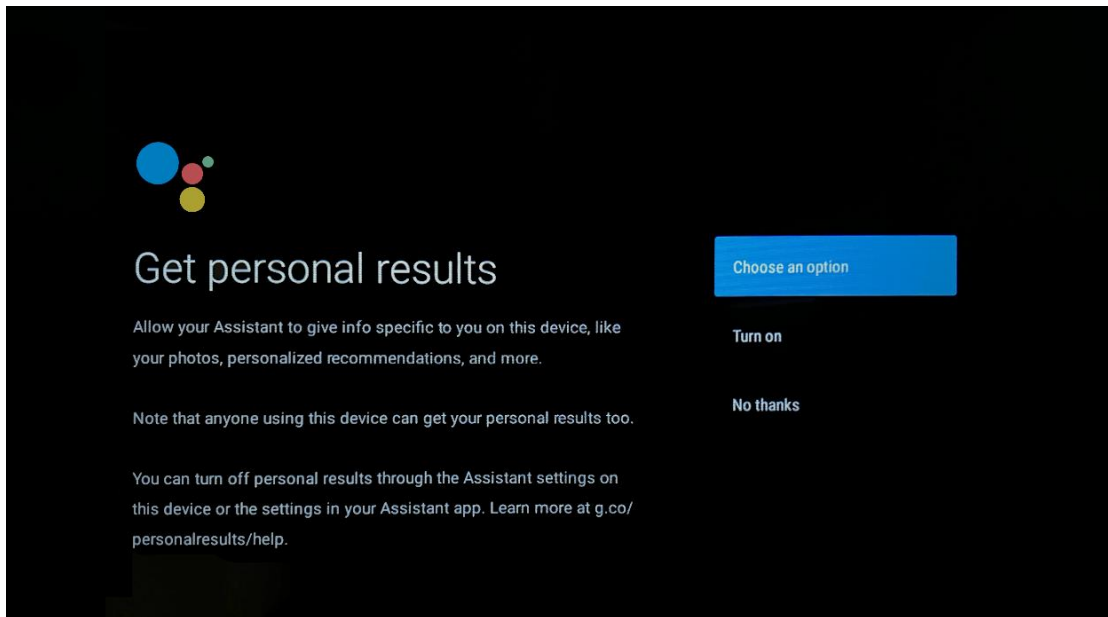
Get better voice control of your TV with the help of Google Assistant.



5.8 Search across all TV apps and get personalized results

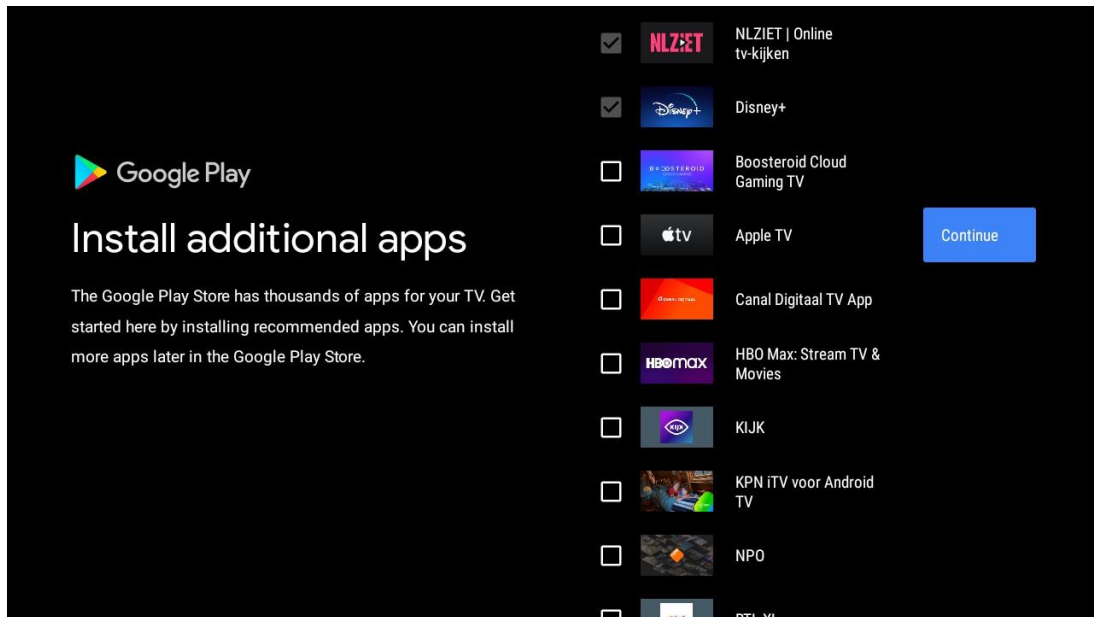
Allow Google to share your requests with your TV's apps and to look for requested information in these apps to suggest better and more precise results.



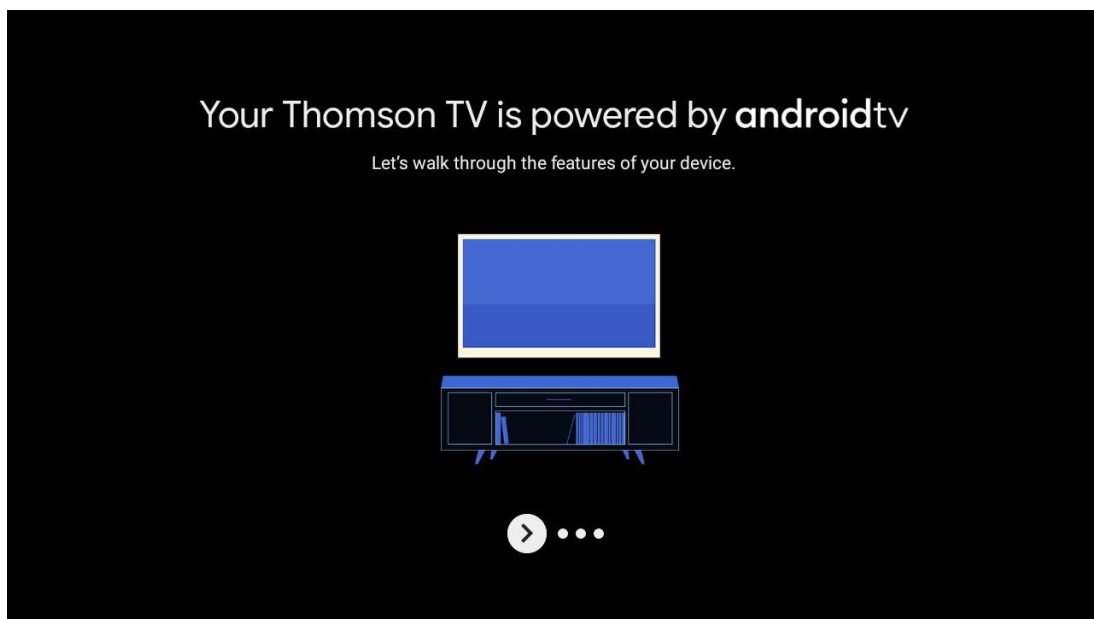


5.9 Google Play Auto Installs

Select which recommended apps and Google apps you want to install by checking them in this list. You can always install more apps later in the Google Play Store.



Information screens will now appear. You can scroll through setups by pressing the right directional button to continue.



Get apps from Google Play

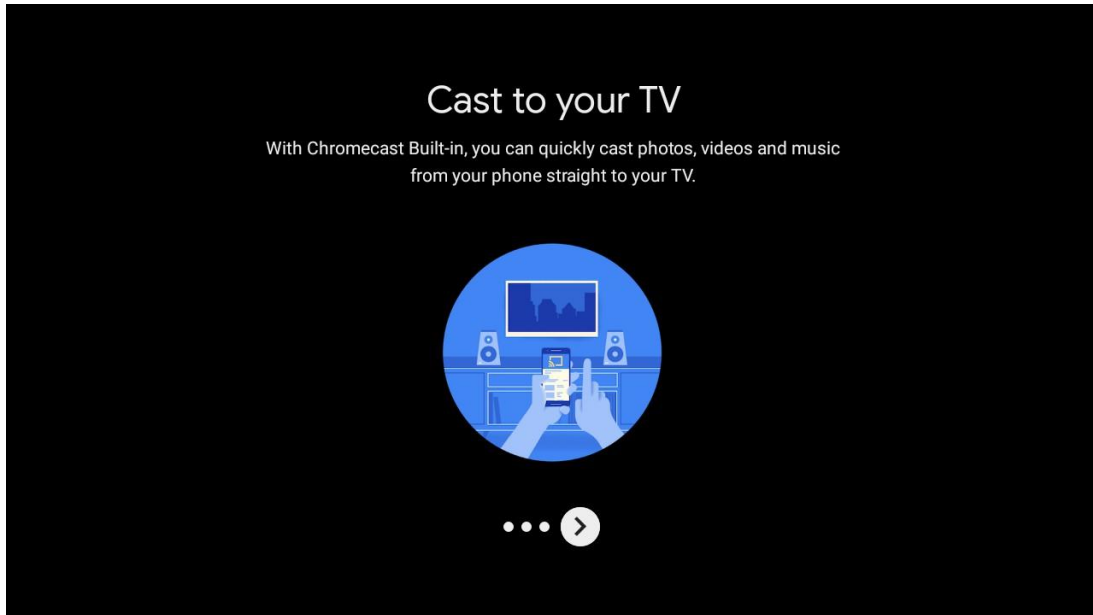
The Google Play Store offers apps that you're sure to love. Watch shows, stream live sports, play games and more.



Talk to the Google Assistant

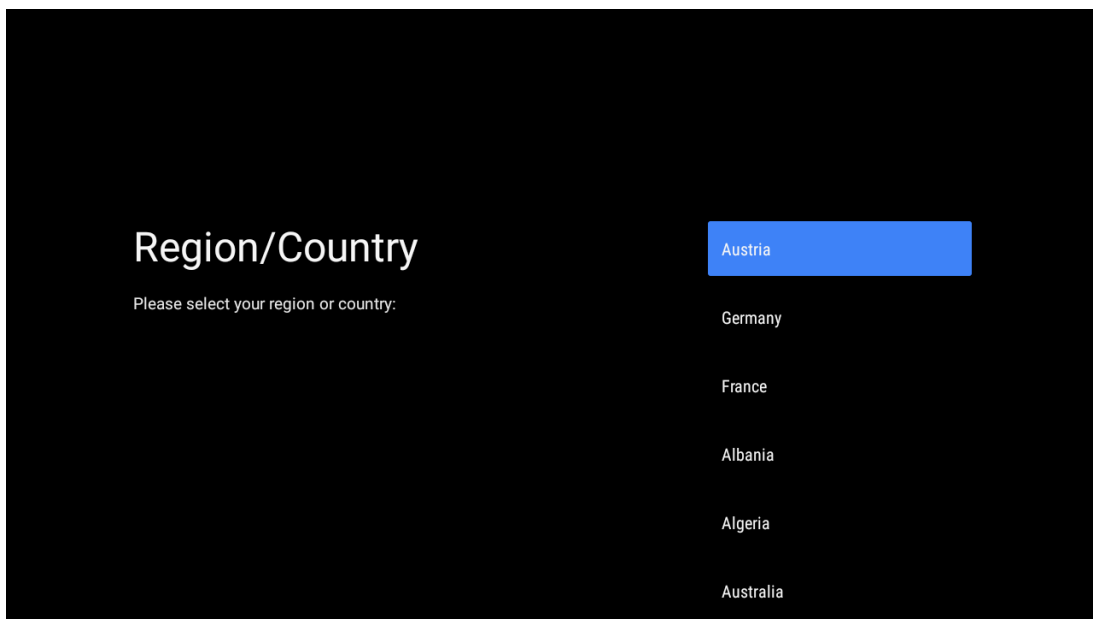
After setup, press the mic button on your remote to quickly find the latest blockbuster, check the score of the big game or control your TV.





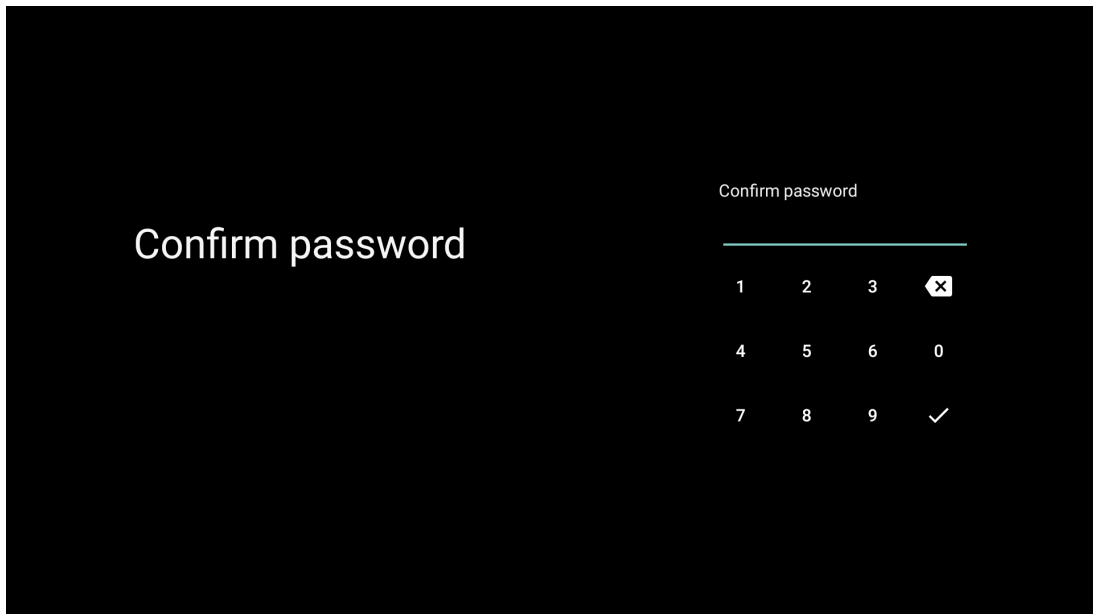
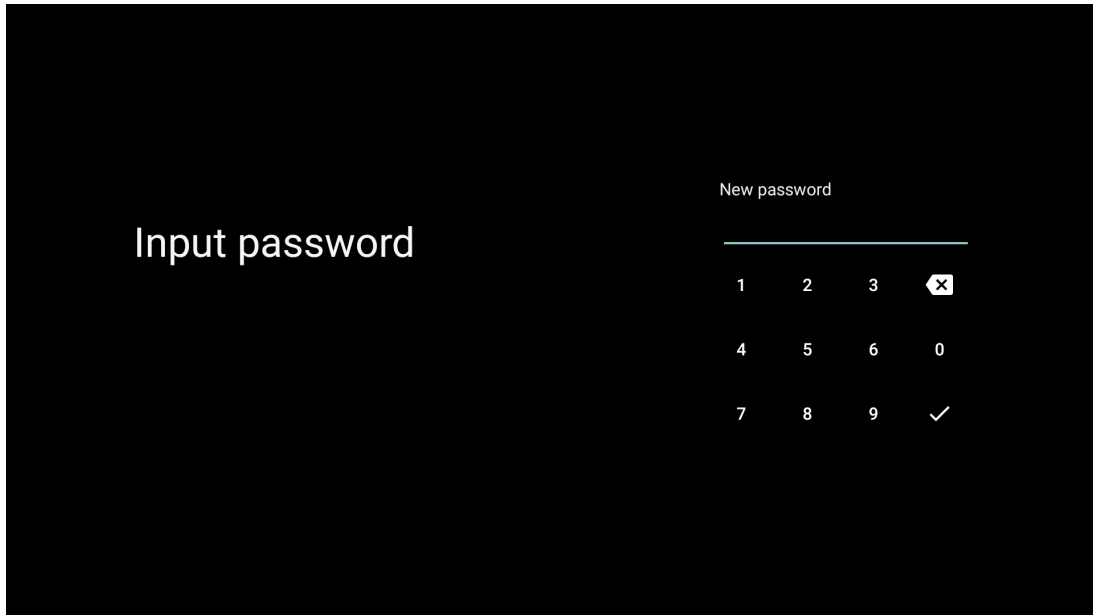
5.10 Select Region/Country

Select the country you are using the device in with the directional buttons, then press **OK** to confirm.



5.11 Create a password

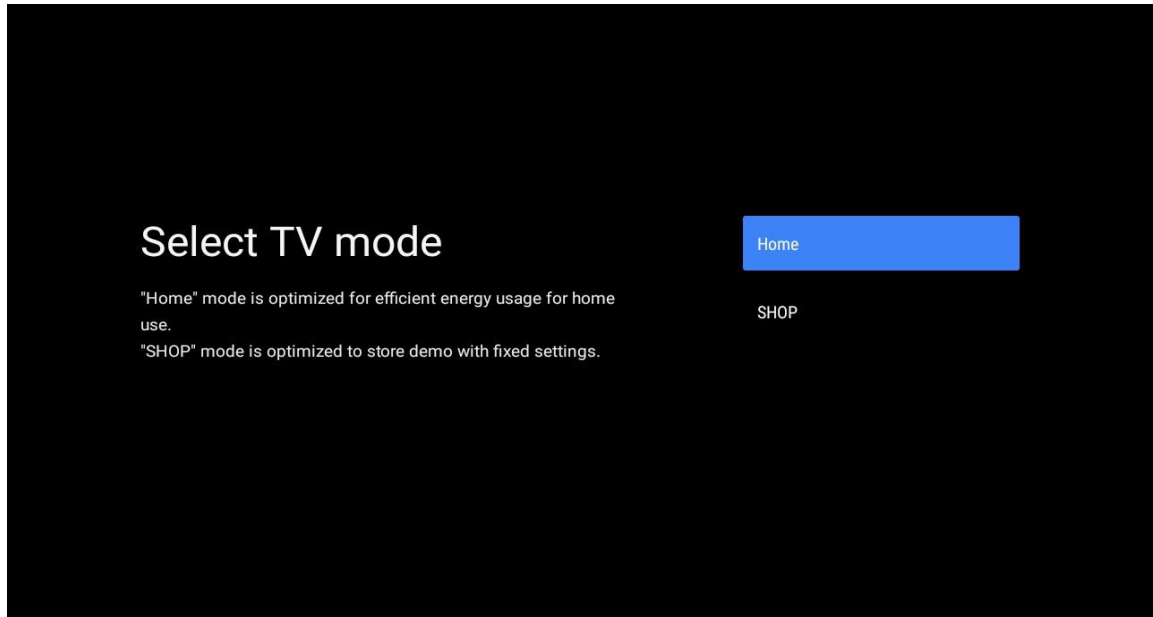
You will need this password for various features like setting Live TV or resetting the device.



5.12 Select TV mode

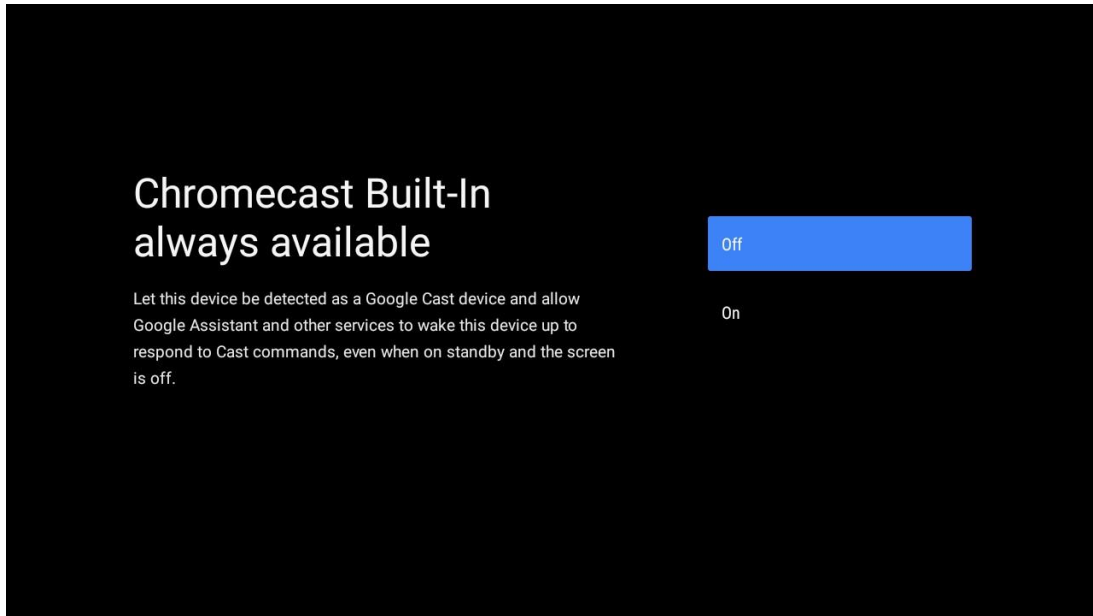
Select the TV mode most suitable for your needs: Home or Shop.

- "Home" mode is optimized for efficient energy usage for home use.
- "Shop" mode is optimized to store demo with fixed settings.



5.13 Google Cast

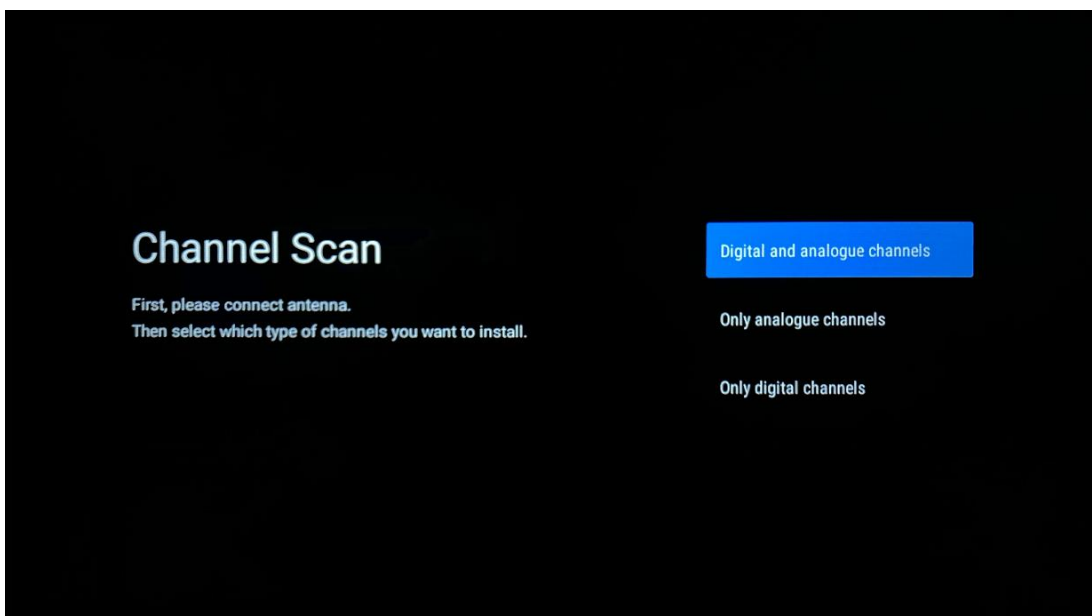
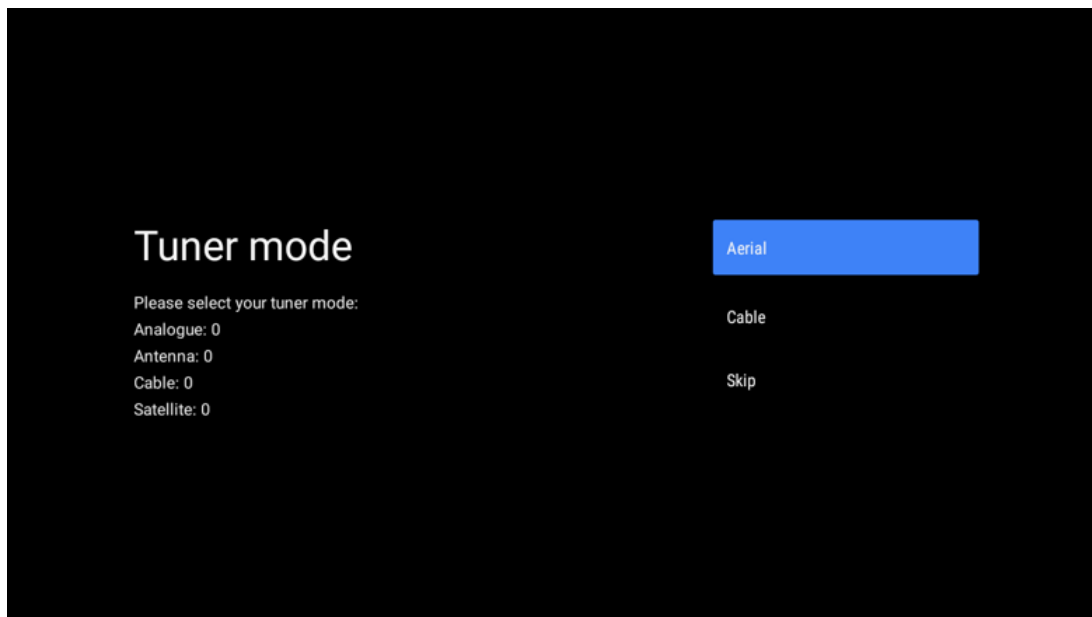
Select On/Off to make Google Cast available.



5.14 TV Channel Setting

Select Antenna or Cable to scan for TV channels.

If you select "Skip", the channel scan can be performed later in the menu.



Note: If you don't want to perform a tuner scan, select one of the available options anyway. You can skip the scan in a later stage of the installation wizard. If you skip this step, you can perform a channel search later using the related Channels menu options.

The next step is the selection of the tuner mode. Select your tuner preference to install channels for Live TV. Antenna and Cable options are available. Highlight the option that corresponds to your environment and press OK or Right directional button to proceed.

Antenna

If Antenna is selected, the TV will search for digital terrestrial and analogue broadcasts. On the next screen highlight "Scan" and press **OK** to start the search or select "Skip Scan" to continue without performing a search.

Cable

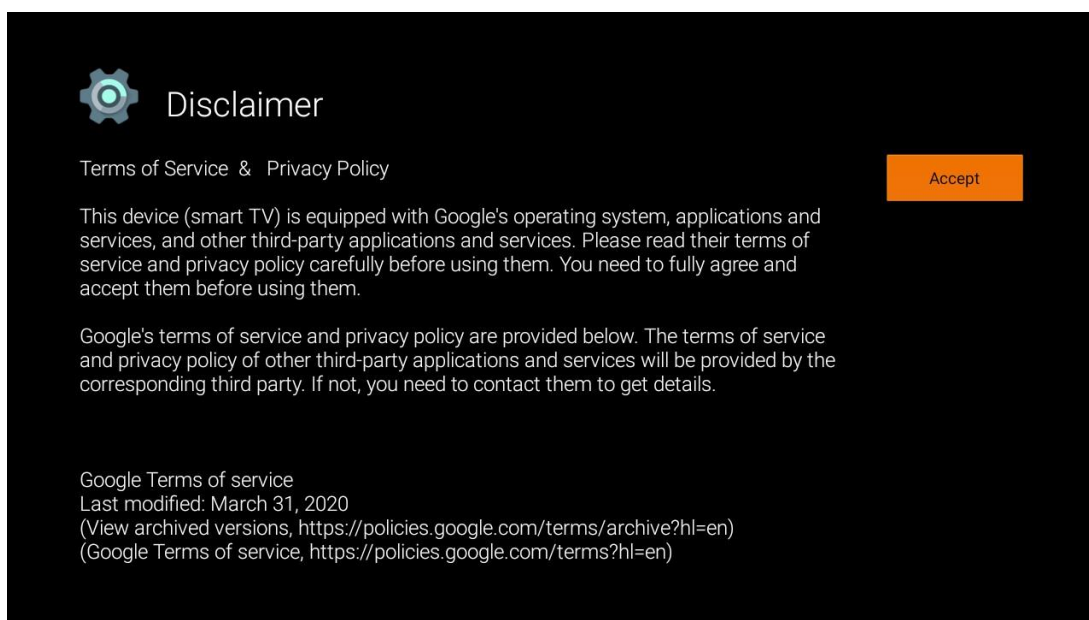
If Cable is selected, the TV will search for digital cable and analogue broadcasts. If there are any, available operator options will be listed on the "Select Operator" screen. Otherwise, this step will be skipped. You can select only one operator from the list. Highlight the desired operator and press **OK** or the Right directional button to proceed.

On the next screen select "Scan" to start a search or select "Skip Scan" to continue without performing a search. If "Scan" is selected a configuration screen will be displayed. Scan Mode, Frequency (kHz), Modulation, Symbol Rate (kSym/s), Network ID options may need to be set. To perform a full scan set the "Scan Mode" to "Full/Advance" if available. Depending on the selected operator and/or Scan Mode some options may not be available to be set. Once you are done with setting available options, press the Right directional button to proceed. The TV will start to search for available broadcasts.

Note: This TV does not include a CI slot. Therefore, it only supports viewing free-to-air (FTA) DVB-C channels.

5.15 Disclaimer

After the setup is completed, you will be asked to accept the Disclaimer.



6 Home

To enjoy the many advantages of your Android TV, your TV must be connected to the Internet. Connect the TV to a Home network with an active Internet connection. You can connect your TV to your modem/router wirelessly or by cable. Further information on connecting your TV set to the Internet can be found in the Settings / Network & Internet Menu.

The Home Screen is the centerpiece of your TV. From the Home Screen, you can start any Application, launch the Live TV application to watch the TV broadcast, watch a movie from various Streaming applications or switch to a device connected to the HDMI port. Also, you can exit the operation of any application at any time and return to the Home Screen by pressing the Home button on the remote control.

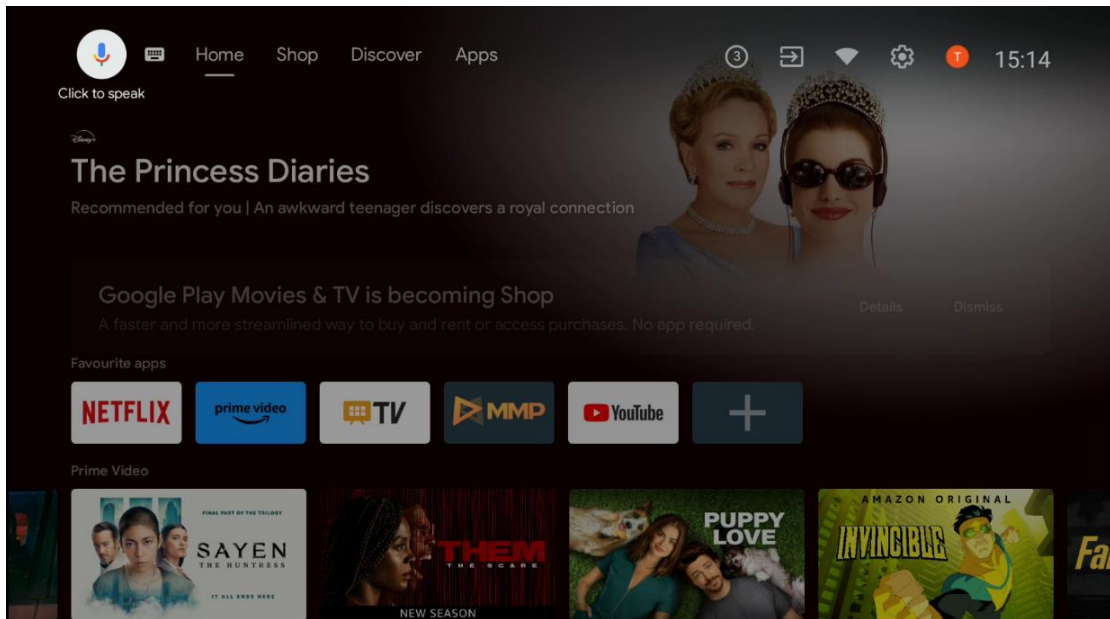
The available options of the Home Screen are positioned in rows. To navigate through the Home Screen options, use the directional buttons on the remote. Apps, YouTube, Google Play Movies & TV, Google Play Music and Google Play related rows and rows of the applications you have installed might be available. Select a row, then move the focus to the desired item in the row. Press **OK** to make a selection or to enter a sub-menu.

Note: Depending on the settings of your TV set and your country selection during the initial setup, the Home Screen may contain different elements.

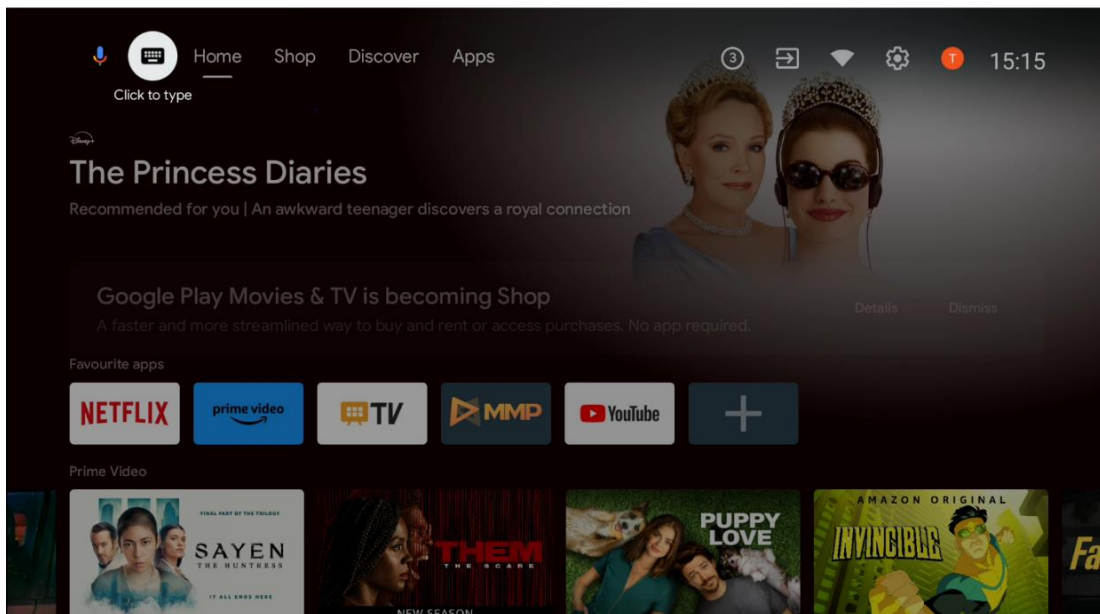
6.1 Search

The search tools are located at the top left of the screen. You can either enter a word to start a search using the virtual keyboard or try voice search using the microphone built into your remote control. Move the focus to the desired option and press **OK** to continue.

Voice search: Select the microphone icon with the directional buttons on your remote control and press **OK** to start the voice search function. A Google voice search field appears at the bottom of the screen. Ask your question to Google and your TV will answer you. For local search terms it is important that the Menu language of the TV is set to the local language.

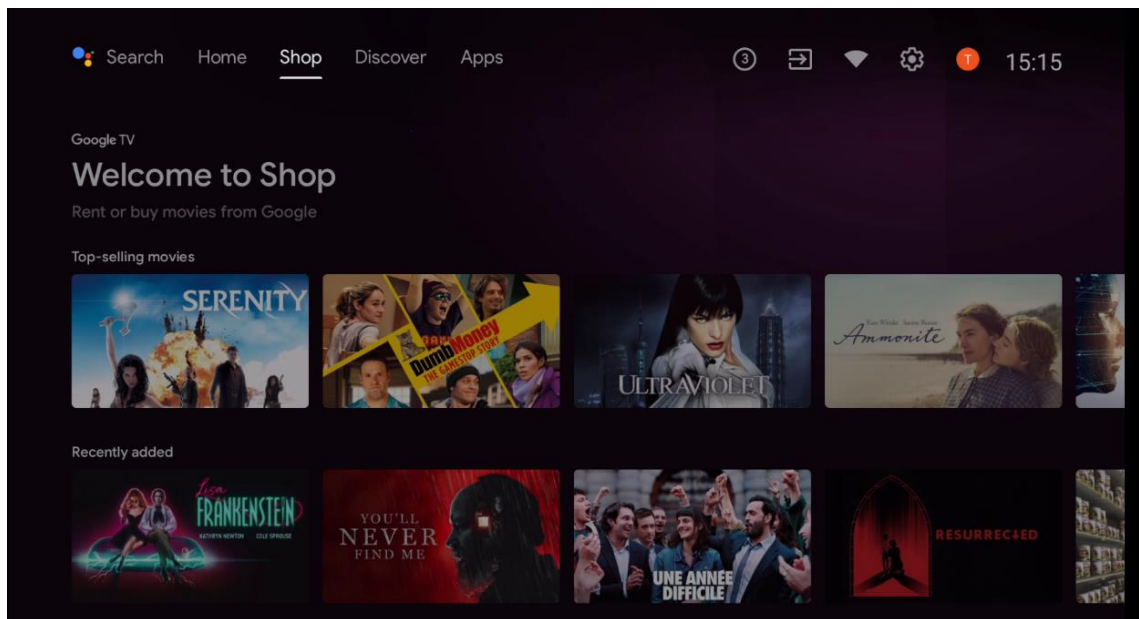


Keyboard search Select the keyboard icon with the directional buttons on your remote control and press **OK**. The virtual Google keyboard will appear on the screen. Type the question you want answered.



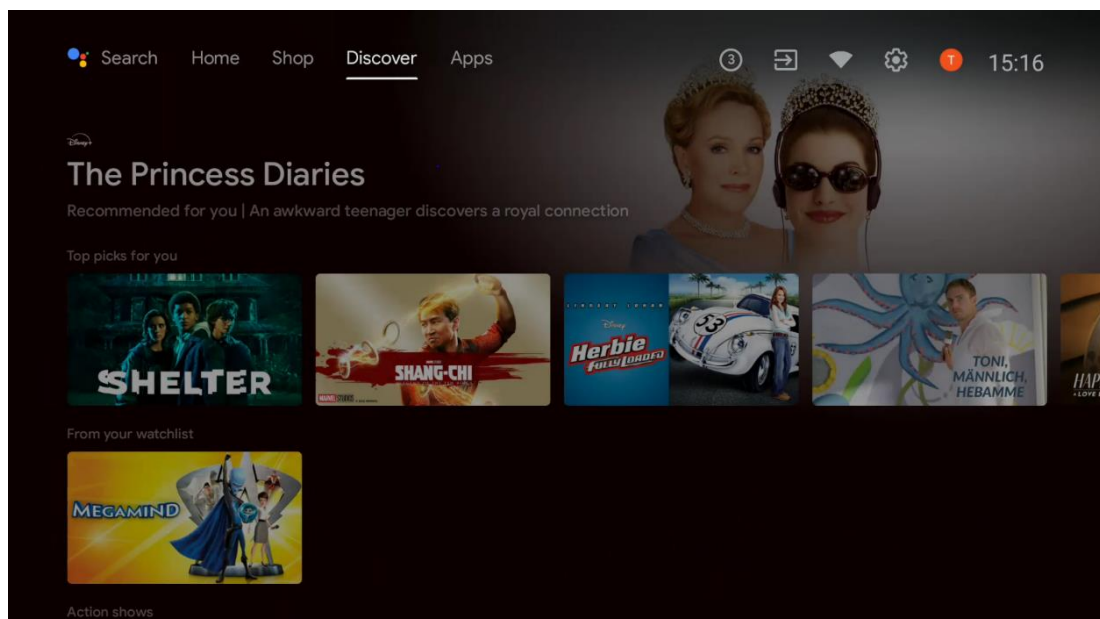
6.2 Shop

Select "Shop" on the Home Screen to display the Google TV Shop offers. Here you can rent or buy various films or other multimedia content from the Google Shop.



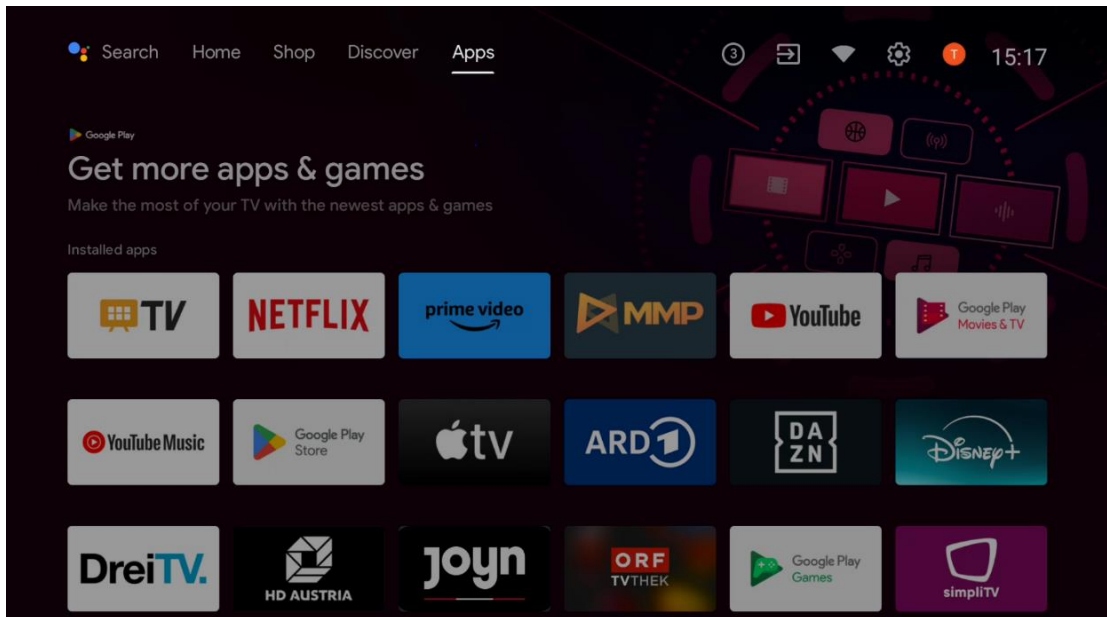
6.3 Discover

Select "Discover" on the Home Screen to display films or series recommended by streaming applications installed on your TV.



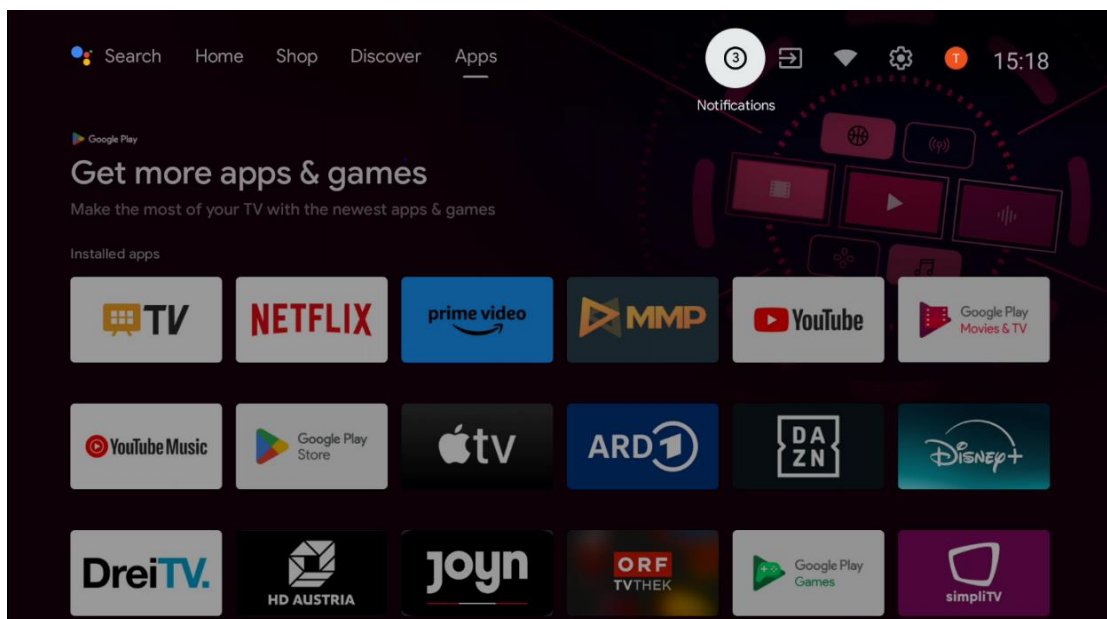
6.4 Apps

Select "Apps" on the Home Screen to display applications installed on your TV.



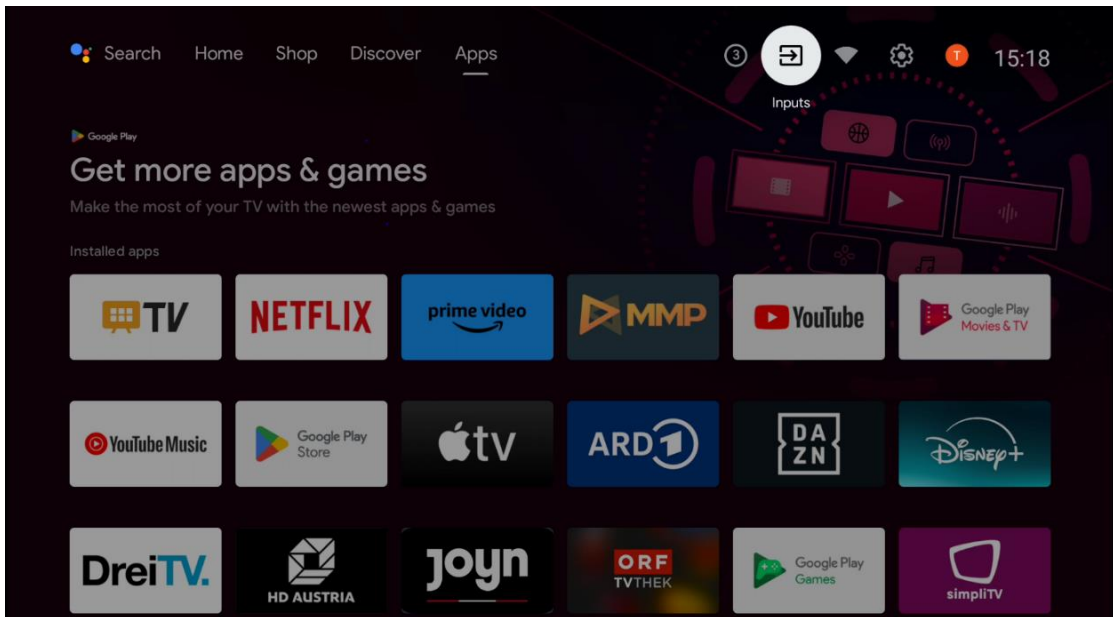
6.5 Notifications

Select the Notifications icon on the Home Screen to display the Google or TV functionality messages.



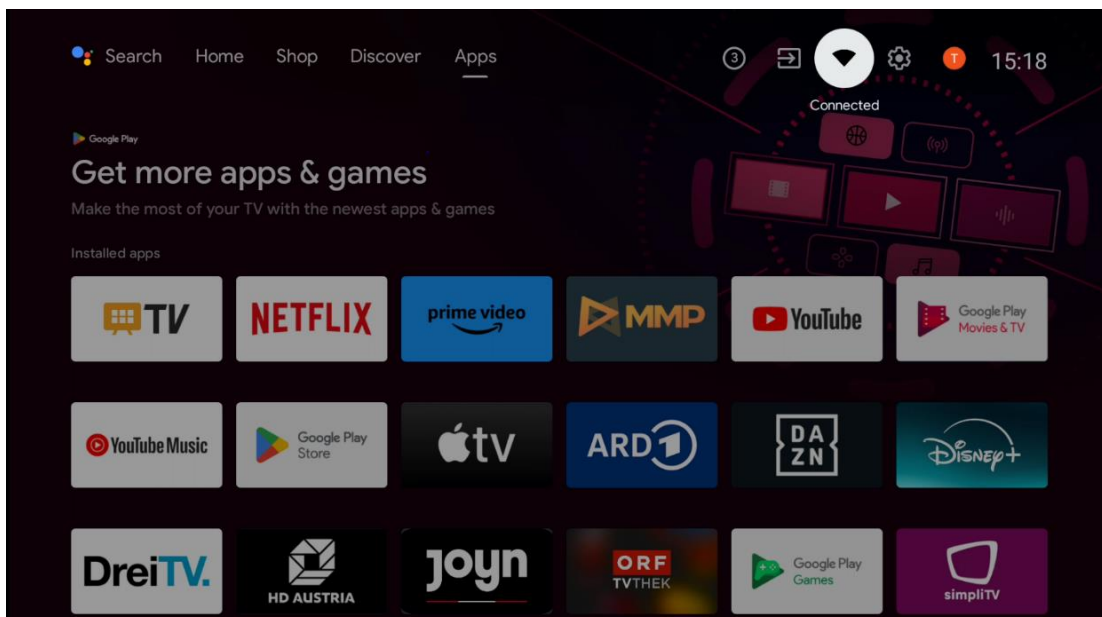
6.6 Inputs

Select the Inputs icon on the Home Screen to display available TV signal sources or devices connected to the TV.



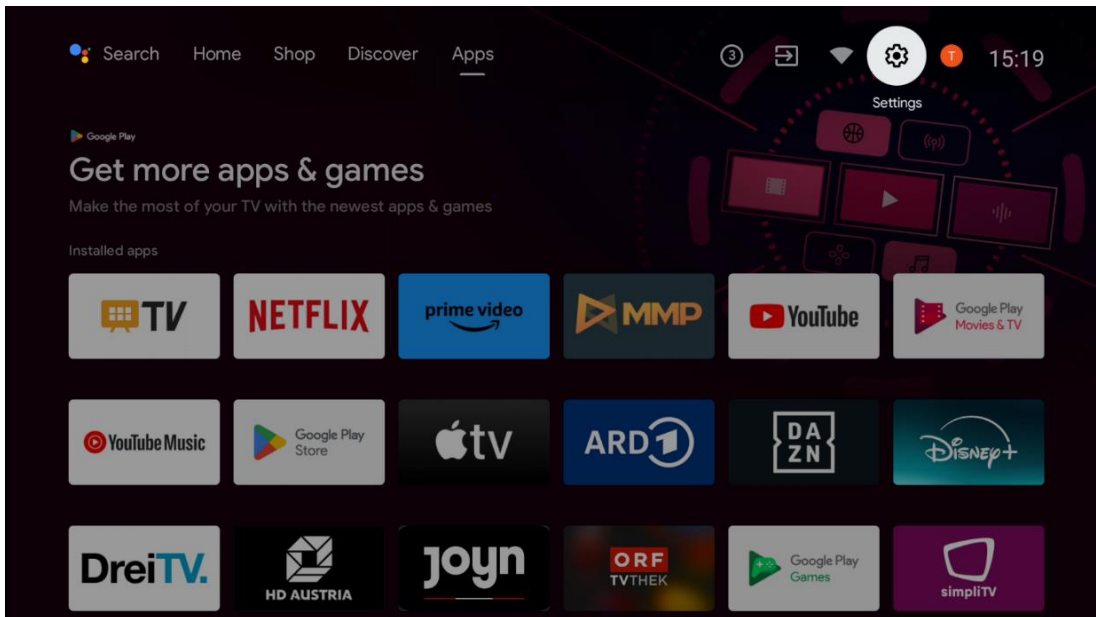
6.7 Network & Internet

Select the Network icon on the Home Screen to display the Internet connection status of the TV.



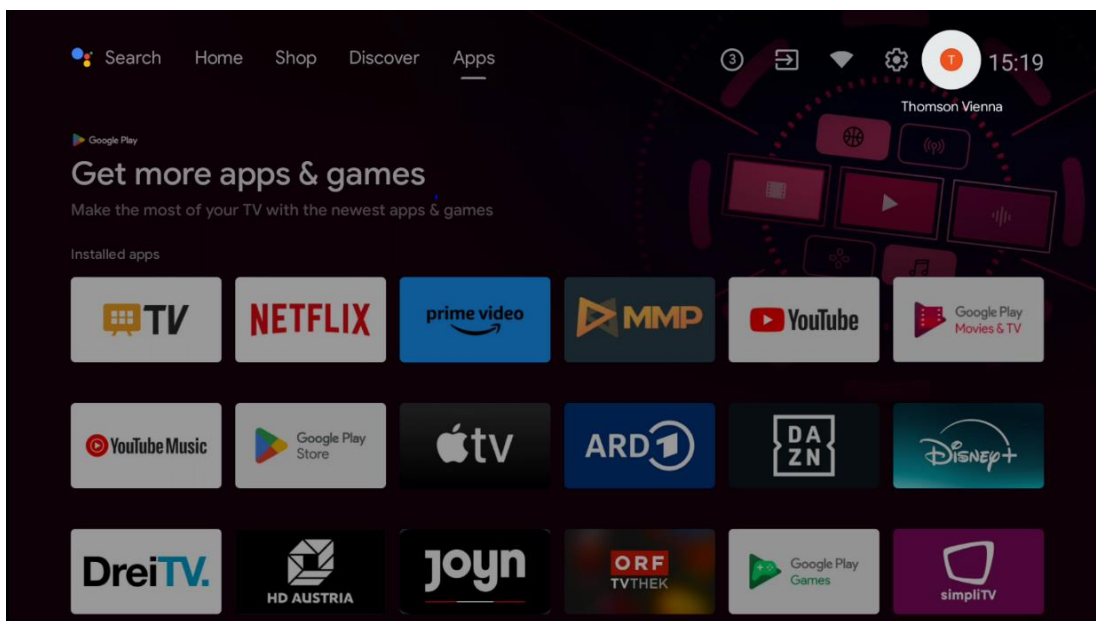
6.8 Settings

Select the Connected/Not Connected icon on the Home Screen to display the TV settings. This menu is explained in chapter 7 in more detail.



6.9 Google Account

Select the Profile Button on the Home Screen to display Google accounts logged in to your TV, add more Google accounts or remove them.



6.10 Favorite Applications

In the first row you can see shortcuts to your favorite applications. The most important streaming service applications such as Netflix or YouTube as well as Live TV and MMP (Multimedia Player) can be found here as well.

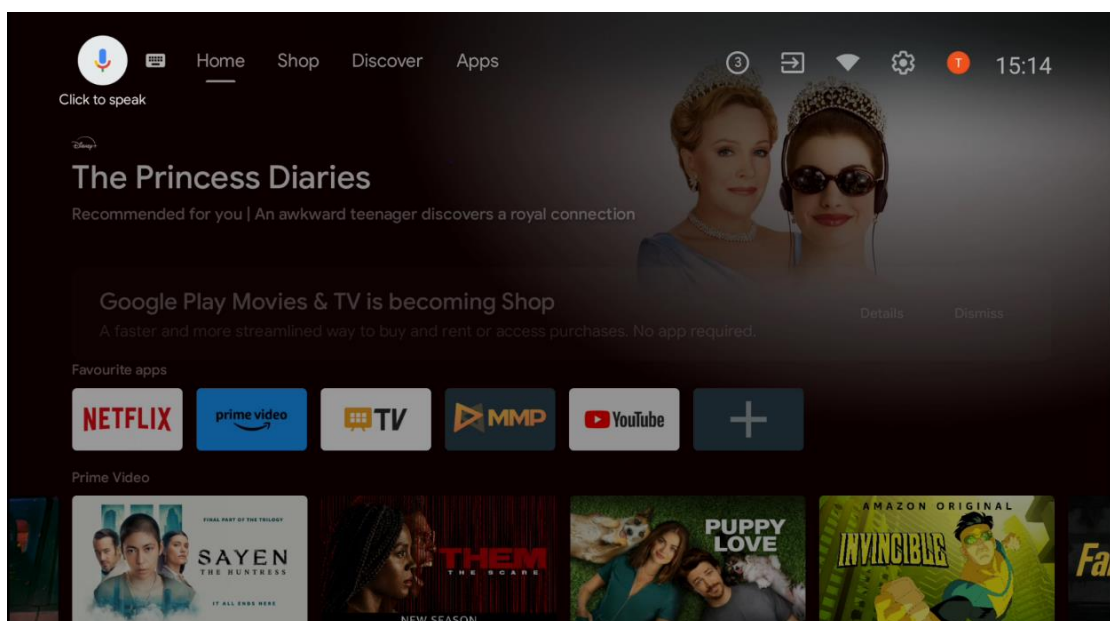
Select the application with the directional buttons on your remote control and confirm with the **OK** button to start the selected application.

Select an application and press and hold the **OK** button to remove the selected application from the Favorite Applications row, move it to a new position or to launch it.

Press the + symbol at the end of the first row to add another installed application to the Favorites Application selection.

The operation of the Multimedia Player is explained in chapter 8 in more detail.

The operation of the Live TV application is explained in chapter 9 in more detail.



7 Settings

The settings menu is divided into Suggestions and General Settings.

7.1 Network & Internet

Configure your TV's network settings using the options of this menu. You can also highlight the Connected/Not Connected icon on the Home Screen and press **OK** to access this menu.

The following options are available:

- **Wi-Fi:** Turn the wireless LAN (WLAN) function On and Off. When the WLAN function is turned On, available wireless networks will be listed. Highlight "See all" and press **OK** to see all networks. Select one and press **OK** to connect. You may be asked to enter a password to connect to the selected network in case the network is password protected.

- **Add new network:** Add networks with hidden SSID's.
- **Scanning always available:** You can let the location service and other apps scan for networks, even when WLAN function is turned Off. Press **OK** to turn it On and Off.
- **WoW:** Turn the Wake on WLAN function On and Off. This function allows you to turn on or wake up your TV via wireless network.
- **WoL:** Turn the Wake on LAN function On and Off. This function allows you to turn on or wake up your TV via network.
- **Ethernet:** Connected / Not connected: Displays the status of the internet connection via Ethernet, IP and MAC addresses.
- **Proxy settings:** Set a HTTP proxy for browser manually. This proxy may not be used by other apps.
- **IP settings:** Configure your TV's IP settings.

7.2 Channel

The settings displayed in this Menu depend on the TV Source (Antenna or Cable) or the device connected to the TV that you have selected with the **Input** button on the remote control.

7.2.1 Channel installation mode - Antenna

- **Channel Scan:** Press the **OK** button on the remote control to perform the automatic search for DVB-T/T2 channels. When the scanning process is finished, press the **Back** button to return to the previous menu.
- **Update Scan:** Previously added channels will not be deleted, but any newly found channels will be stored in the channel list.
- **Single RF Scan:** Select the RF Channel by using the Right/Left directional buttons. Signal Level and Signal Quality of the selected channel will be shown. Press **OK** to start scan on the selected RF channel. The found channels will be stored in the channel list.
- **Manual service update:** This function will start the update of the receivable TV/radio channels manually.
- **LCN:** Set your preference for LCN. LCN is the Logical Channel Number system that organizes available broadcasts in accordance with a recognizable channel number sequence (if available).
- **Channel store type:** Set your store type preference.
- **Favorite Network Select:** Select your favorite network. This menu option will be active, if more than one network is available.

7.2.2 Channel installation mode - Cable

- **Automatic Channel search:** The Smart TV searches for digital and analog channels that can be received via cable. Depending on the country, optional DVB-C cable TV providers are offered during the initial installation and are listed on the Select operator screen. If

you receive the DVB-C signal from a non-dedicated cable TV provider, select the option Other. Press **OK** to start the channel search. In the Channel Search menu, you can select one of the three channel search options: Full, Advanced, or Quick.

- **Full:** Automatic search of all available DVB-C channels.
- **Advanced:** Automatic search of all available DVB-C channels. For this option, it is necessary to enter the DVB-C provider's reception parameters, frequency and network ID. With this search option, the channels are sorted by LCN of the cable providers.
- **Quick:** Automatic search for all available DVB-C channels. This search will search all available cable transponders with the standard symbols.
- **Single RF Scan:** Manual search of DVB-C channels by transponder frequency.
- **LCN:** LCN options for DVB-C channel search.
- **Channel Scan Type:** Set your scan type preference.
- **Channel Store Type:** Set your store type preference.

7.3 Accounts & Sign-In

Google: This option will be available if you have signed in to your Google account. You can configure your data syncing preferences or remove your registered account on the TV. Highlight a service listed in the "Choose synced apps" section and press **OK** to enable/disable data sync. Highlight "Sync now" and press **OK** to sync all enabled services at once.

Add account: Add a new account to available ones by signing in to it.

7.4 Apps

Manage the applications installed on your TV. You can either view recently opened apps, see all apps or manage permissions:

- **Recently opened apps:** View recently opened apps.
- **See all apps:** View a comprehensive list of all installed apps on your TV. You can also see the storage space each App occupies. From here you can check App versions, start or force stop their operation, uninstall downloaded Apps, check permissions and switch them On or Off, manage notifications, clear data and cache and much more. Simply highlight an App and press **OK** to access the available options.
- **Permissions:** Manage the permissions and other features of installed apps.
 - **App permissions:** Apps will be sorted by permission type categories. You can enable/disable permissions for apps from within these categories.
 - **Special app access:** Configure app features and special permissions.
 - **Security & restrictions:** Allow or restrict the installation of apps from sources other than the Google Play Store. Set the TV to block or warn before the installation of apps that may cause harm.

7.5 Device Preferences

7.5.1 About

Here you can find hardware and software information about your TV as well as the Android OS and the Netflix ESN version.

- **System update:** Select this Menu option and press **OK** on your remote control to check if a software update is available for your TV.
- **Device name:** Select this Menu option and press **OK** on your remote control to change the name or assign a customized name for your TV. This is important because your TV should be correctly identified in your network or when performing the Chromecast function.
- **Factory Reset:** Select this Menu option to reset your TV to factory settings and reinstall your TV.
- **Status:** In this Menu you will find the hardware information of your TV such as IP address, MAC address, Bluetooth address, Serial number and Uptime.
- **Legal information:** In this menu you will find the Legal information of your TV.

7.5.2 Date & Time

Set the date and time on your TV. You can have this data updated automatically via network or via broadcasts. Set them according to your environment and preferences. Deactivate the "Automatic date & Time" option if you want to change the date or time manually. Then set the date, time, time zone and hour format options.

7.5.3 Timer

- **Power On Time Type:** Set your TV to turn on by itself. Set this option as On or Once to enable a power on timer to be set, set as Off to disable. If set as Once, the TV will turn on only once at the time defined in the option "Auto Power On Time".
- **Auto Power On Time:** Available if the "Power On Time Type" is enabled. Set the desired time for your TV to turn on from standby using the directional buttons and press **OK** to save the set time.
- **Power Off Time Type:** Set your TV to turn off by itself. Set this option as On or Once to enable a power off timer to be set, set as Off to disable. If set as Once, the TV will turn off only once at the time defined in the option "Auto Power Off Time".
- **Auto Power Off Time:** Available if the "Power Off Time Type" is enabled. Set the desired time for your TV to go to standby using the directional buttons and press **OK** to save the set time.

7.5.4 Language

Set the menu language of your TV.

7.5.5 Keyboard

Select your keyboard type and manage keyboard settings.

7.5.6 Inputs

Here you can find information about devices connected to the HDMI inputs of your TV and the HDMI-CEC operation options.

Connected input: View the listed devices connected to the Composite or HDMI connections of your TV. You can rename the connection or assign an individual device name for specific connections.

Standby inputs: View a list of available HDMI inputs.

Unconnected input: View the connections to which no device is connected.

Consumer Electronic Control (CEC)

With the CEC function of your TV, you can operate a connected device with the TV remote control. This function uses HDMI CEC (Consumer Electronics Control) to communicate with connected devices. Devices must support HDMI CEC and must relate to an HDMI connection. The TV comes with the CEC function switched on. Make sure that all CEC settings are properly set up on the connected CEC device. The CEC functionality has different names on different brands. The CEC function might not work with all devices. If you connect a device with HDMI CEC support to your TV, the related HDMI input source will be renamed with the connected device's name.

To operate the connected CEC device, select the related HDMI input source from the Inputs menu on the Home Screen. Or press the **Source** button if the TV is in Live TV mode and select the related HDMI input source from the list. To terminate this operation and control the TV via the remote again, press the **Source** button on the remote control and switch to another source.

The TV remote is automatically able to control the device once the connected HDMI source has been selected. However, not all buttons will be forwarded to the device. Only devices that support the CEC Remote Control function will respond to the TV remote control.

HDMI Control On/Off: Allow the TV to control HDMI devices.

Device Auto Power Off: Power Off HDMI devices with the TV.

TV Auto Power On: Power on the TV with HDMI device.

CEC device list: View the devices that support the HDMI function and are connected to your TV.

HDMI CEC ARC

The TV also supports ARC (Audio Return Channel). This feature is an audio link meant to replace other cables between the TV and the audio system (A/V receiver or speaker system). Connect the audio system to the HDMI 2 input on the TV to enable the ARC feature.

In order to activate the ARC feature the Speakers option should be set as External Audio System. You can access this option either in Live TV mode or from the Home Screen by following this path: *TV options > Settings > Device Preferences > Sound*. When ARC is active, the TV will mute its other audio outputs automatically. You will hear audio from connected audio devices only. The volume control buttons of the remote will be directed to the connected audio device. This means you are still able to control the volume of the connected device with your TV remote.

Note: HDMI ARC is only supported via one input that is specifically lettered with ARC.

7.5.7 Power

- **Sleep Timer:** Set a time after which the TV switches off and goes into standby mode automatically.
- **Picture Off:** Select this option and press **OK** to turn the screen off. Press a button on the remote or on the TV to turn the screen on again. Note that you cannot turn the screen on via the Volume +/-, Mute and Standby buttons. These buttons will function normally.
- **Switch Off Timer:** Set a time after which the TV switches off automatically. Set as Off to disable.
- **No Signal Auto Power Off:** Define how the TV should behave, when no signal is detected from the currently set input source. Set a time after which you want your TV to turn off by itself or set as Off to disable.
- **Auto sleep:** Set after what period of inactivity the TV should automatically switch to standby mode.

7.5.8 Picture

Here you can adjust your Picture settings.

Picture Mode

Set the picture mode to suit your preference or requirements. Picture mode can be set to one of these options: User, Standard, Vivid, Sport, Movie, Game and Energy saving.

User Mode

Backlight, Brightness, Contrast, Saturation, Hue and Sharpness will be adjusted according to the selected picture mode. If one of these settings is changed manually, the Picture Mode will be changed to User automatically, if not already set as User.

- **Backlight:** Adjust the backlight level of the screen manually. This option will not be available if the Auto Backlight is not set as Off.
- **Brightness:** Adjust the brightness value of the screen.
- **Contrast:** Adjust the contrast value of the screen.
- **Color:** Adjust the color saturation value of the screen.
- **Hue:** Adjust the hue value of the screen.
- **Sharpness:** Adjust the sharpness value for the objects displayed on the screen.

Color Temperature

Set your Color Temperature preference. User, Cool, Standard and Warm options will be available. You can adjust red, green and blue gain values manually. If one of these values is changed manually, the Color Temperature option will be changed to User, if it is not already set to User.

Advanced Video

- **DNR:** Dynamic Noise Reduction (DNR) is the process of removing noise from digital or analogue signal. Set your DNR preference as Low, Medium, Strong or Auto, or turn it Off.
- **MPEG NR:** MPEG Noise Reduction cleans up block noise around outlines and noise in the background. Set your MPEG NR preference as Low, Medium, Strong or turn it Off.
- **Max Vivid:** This option significantly increases the contrast, brightness and sharpness. You can either turn it On or Off.
- **Adaptive Luma Control:** Adaptive Luma control adjusts contrast settings globally according to content histogram to provide deeper black and brighter white perception. Set your Adaptive Luma Control preference as Low, Medium, Strong or turn it Off.
- **Local Contrast Control:** Local contrast enhancement attempts to increase the appearance of large-scale light-dark transitions, like how sharpening with an unsharp mask increases the appearance of small-scale edges.
- **Flesh tone:** The Flesh Tone option allows you to refine the skin colors in pictures without affecting the other colors on screen.
- **DI Film Mode:** It is the function for 3:2 or 2:2 cadence detection for 24 fps film contents and improves side effects (like interlacing effect or judder) which are caused by these pull-down methods. Set your DI Film Mode preference as Auto or turn it Off. This item is not available if PC Mode (optional) is turned On.
- **Blue Stretch:** The human eye perceives cooler white tones as brighter. The Blue Stretch feature changes the white balance of mid-high grey levels to cooler color temperatures. You can either turn this function On or Off.
- **PC Mode:** PC Mode is the mode which cuts down some of the picture processing algorithms to keep signal type as it is. It can be usable especially for RGB inputs. Turn the PC Mode function On or Off.
- **HDMI RGB Range:** This setting should be adjusted according to input RGB signal range on HDMI source. It can be limited range (16-235) or full range (0-255). Set your HDMI RGB range preference. Auto, Full and Limit options are available. This item will not be available if the input source is not set as HDMI.

- **Low Blue Light:** After opening, reduce the blue light ratio, the picture turns yellow.

Reset to Default

Reset the video settings to factory default settings.

7.5.9 Sound

In this Menu you can adjust the sound settings.

- **System Sounds:** System sound is the sound played when navigating or selecting an item on the TV screen. Highlight this option and press **OK** to turn this function On or Off.
- **Sound Style:** For easy sound adjustment, you can select a preset setting. User, Standard, Vivid, Sport, Movie, Music, or News options are available. Sound settings will be adjusted according to the selected sound style.
- **Balance:** Adjust the left and right volume balance for speakers and headphones.
- **Bass:** Adjust the level of low tones.
- **Treble:** Adjust the level of high tones.
- **Surround Sound On/Off:** Activates the surround mode of the TV speakers.
- **Equalizer Detail:** Sets the Equalizer parameters in User sound mode. Note: You can select one of the pre-installed sound modes offered in this menu or set Balance, Bass, Treble, Surround sound or Equaliser detail manually.
- **Speaker Delay:** Adjust the delay of the speaker sound.
- **Digital Output:** Set the digital sound output preference. The available options are: Auto, Bypass, PCM, Dolby Digital Plus and Dolby Digital.
- **Digital Output Delay:** Adjust the delay of the SPDIF delay value.
- **Auto volume control:** With Auto Volume Control, you can set the TV to automatically level out sudden volume differences. Typically, at the beginning of advertisements or when you are switching channels. Select this option and press the **OK** button to switch it On or Off.
- **Downmix mode:** Set your preference to convert multi-channel audio signals to two-channel audio signals. Press **OK** to see the options and set. Stereo and Surround options are available. Highlight the option you prefer and press **OK** button to set.
- **Dialogue Enhancer:** It helps to improve the clarity and intelligibility of spoken words in audio content. It is especially useful when watching movies, TV shows, or videos where dialogue might be difficult to hear due to background noise, music, or sound effects.
- **Reset to Default:** Reset the sound settings to factory defaults settings.

7.5.10 Storage

You can check the status of your total storage space on the TV and your connected devices here. To view detailed usage information, highlight "Internal storage partition" or "External storage connected device" and press **OK**. Options for ejecting and formatting the connected storage devices are also displayed. Optionally, you can increase the storage capacity by connecting an

external storage device such as an external HDD or USB stick to one of the TV's USB ports. You can configure the connected storage device as a TV storage extension.

7.5.11 Home Screen

Customize your Home Screen. Select which channels you want to have displayed on the Home Screen. Organize apps and games, change their order or download additional ones.

For more information about the functions that the Home Screen offers, go to chapter 6 of this User Manual.

7.5.12 Retail mode

Highlight "Retail mode" and press **OK**. Highlight "Next" and press **OK** if you wish to continue. You can set the Retail mode to On to activate it, or turn it Off to deactivate it.

In Retail mode, the settings of your TV are configured for retail use, and the supported TV functions and technical information of the TV are displayed on the screen. After you have activated the TV Retail mode, a notification will appear on the screen.

7.5.13 Google Assistant

Select your active account, view permissions, select which applications should be included in the search results, activate the secure search filter and view open-source licenses.

7.5.14 Google Cast

When running the Chromecast function from the mobile device that is in the same network as your TV, your TV will be recognized as a Google Cast device and allows the Google Assistant and other services to wake up your TV and respond to connected Chromecast devices. It will be possible to stream content or local multimedia content from your mobile devices to your TV.

Select your preference for Google Cast availability. You have three setting options:

- **Always:** Your TV will always be visible to other devices that support this feature (even if it is in standby mode and the screen is switched off).
- **While casting:** Your TV will only be visible while using the Chromecast function.
- **Never:** Your TV will not be visible to other devices.

7.5.15 Screen Saver

Manage the screen saver options and set a start time for activating the screen saver when the device is inactive.

7.5.16 Energy Saver

Set the switch-off time of the TV.

7.5.17 Location

In this menu, you can specify whether your location can be determined via Wi-Fi, and you can allow or disallow Google and third-party apps to use your TV's location information.

7.5.18 Usage & diagnostics

Automatic sending of usage data and diagnostic information to Google.

7.5.19 Accessibility

In this menu you can find various options that facilitate watching your television and controlling it for people with disabilities.

7.5.20 Restart

By selecting "Restart" the TV will reboot.

7.6 Remotes & Accessories

This menu chapter explains how you can connect Bluetooth devices such as a soundbar, headphones, speakers, mouse & keyboard or game controller to your TV.

- Set the device you want to connect to the TV to pairing mode.
- Select "Add device" and press **OK** on your remote control to start the search for Bluetooth devices in pairing mode.
- Available devices will be recognized and displayed in a list.
- Select the desired device from the list and press **OK** to start the pairing process with the TV.
- When the pairing process is completed, Bluetooth connected devices will be listed in this menu.

8 MMP Player

With the MMP Player you can playback multimedia data from external storage devices.

Plug the USB storage device into one of the USB inputs on the TV to view your photos, play your music, or watch video files stored on the connected USB storage device.

To begin, start the MMP application from your Home screen and select the desired media type. Navigate to the file you want to open and press the **OK** button. Follow the on-screen instructions for more information on other available button functions.

To play multimedia files from external USB storage devices, you can also use any of the multimedia players available for download in the Google Play Store.

Note:

- Depending on the storage capacity of your connected USB device, it may take several seconds before your files are listed. Do not remove your drive while playing a file.
- Storage capacities larger than 2 TB are not supported.
- The TV only recognizes external storage devices formatted in **FAT32 or NTFS** file systems. In order to format the external storage device, use your laptop or PC.

9 Live TV

Select the Live TV app on the Home Screen and press **OK** to launch it.

Press the **Menu** button on the remote control to display the Live TV Menu options.

9.1 Channels

Press the **Menu** button in Live TV mode. Press the Up directional button to display the "Channels" Menu.

9.1.1 Electronic Program Guide (EPG)

Experience the convenience of the Electronic Program Guide (EPG) feature on your TV, enabling you to effortlessly browse the schedule of channels currently available in your channel list. Please note, the availability of this function depends on the program.

To access the electronic program guide while in Live TV mode, simply select this corresponding menu option or press the **Guide** button on your remote control. To return to Live TV, press the **Back** button on your remote control.

Navigate through the program guide using the directional buttons on your remote control. Utilize the Up/Down directional buttons or the **Program +/-** buttons to browse through channels, and the Right/Left directional buttons to select a desired event on the highlighted

channel. Detailed information such as the full event name, start and end time, date, genre, and a brief description will be displayed at the bottom of the screen if available.

Easily filter events by pressing the **blue** button on your remote control, offering a variety of filter options to quickly locate events of your preferred type. For more information about a highlighted event, press the **yellow** button to display detailed information.

To view events from the previous or next day, simply press the **red** or **green** buttons respectively. These functions are assigned to the colored buttons on your remote control when available. Refer to the on-screen instructions for the specific functions of each button.

9.1.2 Channel

Go to chapter 9.1 for more information.

9.2 TV Options

The following options are available: Source, Picture, Sound, Power, Advanced Options and Settings.

9.2.1 Source

Display the list of available input sources. Select the desired one and press **OK** to switch to that source.

9.2.2 Picture

Open the picture settings. How to adjust these settings, refer to 7.5.8.

9.2.3 Sound

Open the sound settings. How to adjust these settings, refer to 7.5.9.

9.2.4 Power

Open the power settings. How to adjust these settings, refer to 7.5.7.

9.2.5 Advanced Options

Audio

- Audio Language: Set the preferred audio language. Selecting the preferred audio language is particularly important for TV channels that broadcast in several languages.

- Second Audio Language: Set your second preferred
- Sound Tracks: The available sound track options are indicated.

Setup

- Blue Mute: Turn this function on/off according to your preference. When turned on, blue background will be displayed on the screen when no signal is available.
- Default Channel: Set your default startup channel preference. When the Select Mode is set as User Select, Show Channels option will become available. Highlight and press OK to see channel list. Highlight a channel and press OK to make a selection. Selected channel will be displayed, every time the TV is turned back on from quick standby mode. If the Select Mode is set as Last Status, the last watched channel will be displayed.
- Subtitle:
 - Analogue Subtitle: Set this option as Off, On or Mute. If Mute option is selected, the analogue subtitle will be displayed on the screen but the speakers will be muted simultaneously.
 - Digital Subtitle: Set this option as Off or On.
 - Subtitle Tracks: Set your subtitle track preference, if any available.
 - Digital Subtitle Language: Set one of the listed language options as first digital subtitle language preference.
 - Second Digital Subtitle Language: Set one of the listed language options as second digital subtitle language preference. If the selected language in the Digital Subtitle Language option is not available, the subtitles will be displayed in this language.
 - Subtitle Type: Set this option as Normal or Hearing Impaired. If Hearing Impaired option is selected, it provides subtitle services to deaf and hard of hearing viewers with additional descriptions.
- Teletext:
 - Digital Teletext Language: Set the teletext language for digital broadcasts.
 - Decoding Page Language: Set the decoding page language for teletext display.
- System Information: Display detailed system information on the current channel such as Signal Level, Signal Quality, Frequency etc.

9.2.6 Settings

The Settings Menu is explained in detail in Menu chapter 7 of this User Manual.

9.3 Record

In Live TV mode, press the **Menu** button and then the down directional button to display the "Record" Menu.

9.3.1 Instant recording

Press and hold the **Setting** button while watching Live TV. A virtual keyboard will be displayed on the TV screen. Select the Record icon and press the **OK** button on your remote control to start recording. To stop recording, select the Stop icon on the virtual keyboard.

9.3.2 Record list

View a list of all recorded programmes. Highlight a recording and press the **yellow** button to delete it or press the **blue** button to display detailed information. Use the **red** and **green** buttons to scroll up and down the page.

9.3.3 Device Info

View connected USB storage devices. Highlight the device of your choice and press **OK** to see available options.

- **Set time shift:** Select the selected USB storage device or a partition on it for time shift recording.
- **Set PVR:** Tag the selected USB storage device or a partition on it for PVR.
- **Format:** Format the USB storage device that you want to use for PVR recording. Please note that the USB storage device needs to be already formatted in FAT-32 or NTFS to be recognized by the TV.
- **Speed test:** Start a speed test for the selected USB storage device. The test result will be displayed when completed.

9.3.4 Schedule List

You can add reminders or recording timers via the Schedule list menu. Highlight the Schedule list and press **OK**. Previously set timers are listed if they are available.

Select "Add" in the dialogue window to add a timer recording. The "Schedule list" menu is displayed on the screen. You can specify the type of timer by setting the Schedule type option as Reminder or Recording. If other parameters are set, highlight "Add" and press **OK**. The timer is added to the list.

If available, you can also edit or delete the timers in this list. Highlight the timer of your choice and press **OK**. The Edit and Delete options are displayed at the bottom of the screen. Highlight the desired option and press **OK**. Once you have edited a timer, you can either replace the existing one or add it as a new timer. If you choose to Replace the timer, it will be saved with the new settings. If you choose to Add the timer, it is added to the list as a new timer. Press **OK** to continue. If you want to delete a timer, a confirmation dialogue is displayed on the screen. Highlight "Yes" and press **OK** to delete the selected timer.

If the time intervals of two timers overlap, a warning message is displayed. You cannot set more than one timer for the same time interval.

Press the **Back** button to close the schedule list.

9.3.5 Time Shift Mode

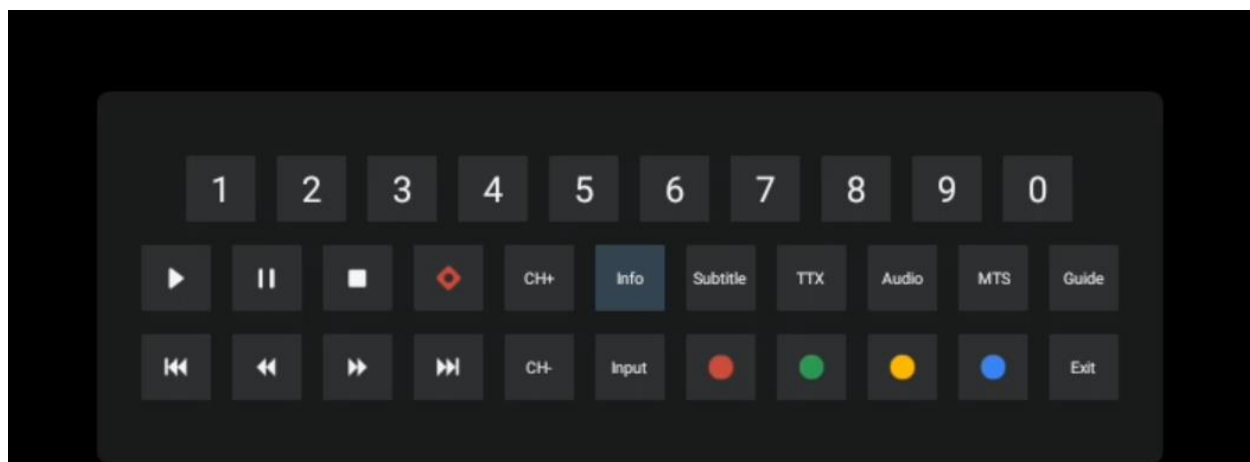
In time shift recording mode, the program is paused on the TV screen and simultaneously recorded in the background on the connected USB storage medium. The time shift recording function must first be activated in Menu / Record / Device Info / USB Drive / **OK** / Set Time shift / **OK**.

To activate Time Shift recording while watching a program in Live TV mode, press and hold the **Menu** button. The virtual keyboard will be displayed on the screen.

- Select the Pause icon and press **OK** to start the time shift recording.
- Select the Play icon and press the **OK** button to resume playback from the point where you started the time shift recording.
- Select the Stop symbol to end the Time shift recording and continue with the TV broadcast in real time.

Note: When you use the Time Shift function for the first time, a configuration dialogue for the hard disk setup is displayed on the TV screen. Select the configuration options offered and follow the steps in the Time Shift configuration menu. You can select either automatic or manual setup mode. In manual mode, you can format your USB storage device if you wish and specify the storage location to be used for Time Shift recordings.

The Time Shift recording function is not available for radio programs.



10 Channel Management

To edit channel list, first make sure LCN function is disabled in the channel settings menu. This can be done in the Channel menu along with other channel management options.

- Open the Live TV app.
- Press **OK** to open the Channel list.
- Press the **red** button to open the Channel management.

Follow these steps to edit the channels individually:

SKIP Channel

Once a channel is set to be skipped, it will no longer appear in the channel list or program guide, even after restarting the TV, but the channel is not deleted.

- Select Channel Skip.
- Select the channels which you want to SKIP.

SWAP Channel

Switch the position of channels in the channel list.

- Select Channel Swap.
- Select the channel which you want to SWAP (for example, channel 1).
- Select the channel that you want to switch its position with (for example, channel 16).
- Confirm by pressing the **OK** button.

MOVE Channel

Rearrange the position of channels in the channel list.

- Select Channel Move.
- To change the channel position, select the channel that you want to MOVE (for example, channel 1).
- Move it to the number where you want the channel to be moved to (for example, channel 5)
- After selecting the position, press the **blue** button on your remote - a Warning message will appear.
- Select "Yes" and press **OK** on your remote. The channel will be moved to the desired position.

EDIT Channel

Customize and manage the channels stored on your TV.

- Select Channel EDIT.
- Select the channel that you want to EDIT (for example, channel 1).
- Now you have the option to edit the number of the channel and the channel name.

DELETE Channel

Remove unwanted channels from the channel list. Note that to display previously deleted channels again, you will have to perform a channel scan.

- Select Channel Delete
- Select the channel that you want to Delete (for example, channel 5).
- Press the **blue** button on your remote - a Warning message will appear.
- Select "Yes" and press **OK** on your remote control. The channel will be deleted from the list.

11 Google Play Store

To access a variety of applications for your TV, launch the Google Play Store. Like on your smartphone, you can seamlessly install apps from third-party providers, companies or game studios.

In the Google Play Store, you will find a comprehensive selection of apps that are compatible with Android TV. If you cannot find a particular app in your TV's Google Play Store, but it is available in the Google Play Store on your mobile device or tablet, this means that the app is not optimized or certified for use on Android TV.

Occasionally, certain apps developed for smartphones do not have a corresponding version for Android TV. In such cases, you can stream content from the application on your mobile device to your TV set using Google Cast if supported.

12 Troubleshooting

No power	Check if the AC power cord of your TV is plugged in or not. If there is still no power, please press the On/Off button on the back side of the base, disconnect the power supply and then reconnect the power supply after 10 seconds. Press the On/Off button again and turn on the TV with the remote control.
Signal not received properly	Double or phantom images may appear on your TV if there are high buildings or mountains close to where you are. You can adjust the image through manual operation: consult instruction of vernier regulation or adjust the direction of the external antenna. If you use an indoor antenna, signal reception may be more difficult under certain circumstances. Adjust the direction of the antenna for optimum reception. If this does not improve reception, you may have to switch to an external antenna.
No picture	Check if the antenna cable at the back is connected properly. View other channels to see if the problem still occurs.
Video appears with no audio	Try to increase the volume. Check if the TV is on mute.

Audio is present, but video does not appear or is discolored	Try adjusting the contrast and brightness.
Static noise affects video and audio quality	Check if the antenna at the back is connected properly.
Broken lines on screen	Electrical appliances such as hair dryers or vacuums etc. may be interfering with your TV set. Switch these appliances off.
Remote doesn't work	Check if the placement of the batteries is correct or try using new batteries with the remote control. Try to use the remote control at a shorter distance from the TV. Check if your remote control appears among Bluetooth connected devices in the following menu: Settings > Remotes & accessories.
Problems are unresolved	If the problems still exist, do not attempt to repair the TV by yourself. Kindly contact Thomson Support. You can reach out to them at https://tv.mythomson.com/support/ .

13 Technical specifications

32HA4M44	
Operating Voltage	100-240 V, 50-60 Hz
DC Adapter Specifications (Output)	19 V/3.42A, 64.98W
Audio (DTS HD)	no
Audio Output Power	2 x 8
Power Consumption (W)	65
Standby Power Consumption (W)	< 0,5
Weight with stand (Kg)	18.1
TV Dimensions LxWxH (with stand) (mm)	734x426x1332
Display	32"/81 cm
Screen resolution	1366x768
Battery Information	Lithium-ion battery 6200mAh, 14.4V, 86.4Wh

13.1 Country restrictions

Intended for indoor use only in EU member states and EFTA states.

AT	BE	BG	CH	CY	CZ	DE	DK	EE	ES	FI	FR
GR	HR	HU	IE	IS	IT	LI	LT	LU	LV	MT	NL
NO	PL	PT	RO	SI	SK	SE	TR	UK	(NI)		

13.2 Licenses

Subject to alterations. In consequence of continuous research and development technical specifications, design and appearance of products may change. Google, Google Play, Android

TV, Google Cast and other marks are trademarks of Google LLC. Google Assistant is not available in certain languages and countries. Availability of services varies by country and language. Netflix is a registered trademark of Netflix, Inc. Netflix streaming membership required. Apple TV is a trademark of Apple Inc., registered in the U.S. and other countries and regions. Wi-Fi is a registered trademark of Wi-Fi Alliance®. The terms HDMI and HDMI High-Definition Multimedia Interface, and the HDMI logo are trademarks or registered marks of HDMI Licensing Administrator, Inc. in the United States and other countries. Manufactured under license from Dolby Laboratories. Dolby, Dolby Audio, and the double-D symbol are trademarks of Dolby Laboratories Licensing Corporation. All rights reserved. All product names are trademarks or registered trademarks of their respective owners. ©2025 StreamView GmbH, Franz-Josefs-Kai 1, 1010 Vienna, Austria, contact@streamview.com. This product has been manufactured and sold under the responsibility of StreamView GmbH. THOMSON, and the THOMSON logo are trademarks used under license by StreamView GmbH – further information at www.thomson-brand.com.